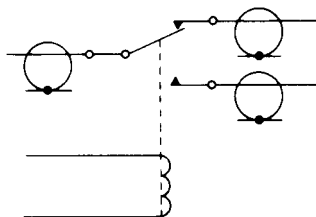
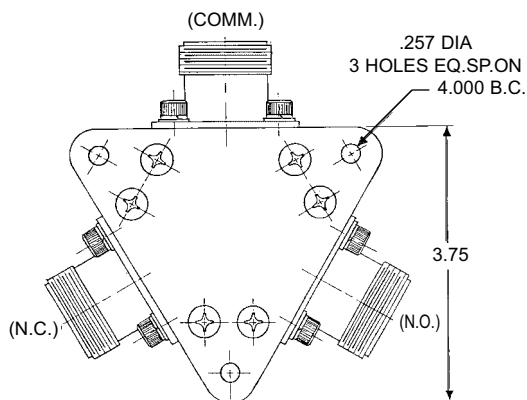
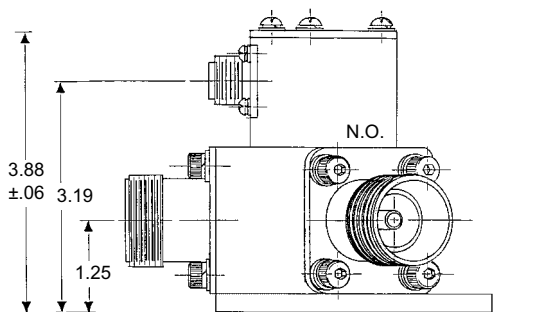




## SPDT Vacuum Coaxial Relay RC43E6050H440

### FEATURES:

- General Transmitter/Receiver Switch
- 5 kW CW @ 30 MHz
- SPDT
- 10 kW CW power available (see Options)



### RC43 Specifications

<b>Model Number</b>	RC43E6050H440
<b>Power Rating</b> (See Coaxial Switch Power Ratings graph)	5 kW CW at 30 MHz
<b>Frequency Range</b>	0-500 MHz
<b>Characteristic Impedance</b>	55 Ω
<b>VSWR</b>	1.1:1 max.
<b>Isolation</b>	> 30dB at 300 MHz
<b>Insertion Loss</b>	0.1 dB max.
<b>Coil Resistance</b>	265 Ω ± 10%
<b>Actuator Coil Connection</b>	MS receptacle
<b>Contact Configuration</b>	SPST
<b>Connector Type</b>	LC
<b>Actuation</b>	Non-latching continuous duty coil
<b>Actuating Voltage</b>	26.5 Vdc
<b>Position Indicators</b>	None
<b>Operate Time</b>	25 milliseecs. max.
<b>Weight</b>	3 lbs. 4 oz.
<b>Options</b>	<ul style="list-style-type: none"> <li>• 115 Vdc coil</li> <li>• 10 kW CW power @ 30 MHz w/ screwlock connectors: IEC, DIN, VG or CECC</li> </ul>