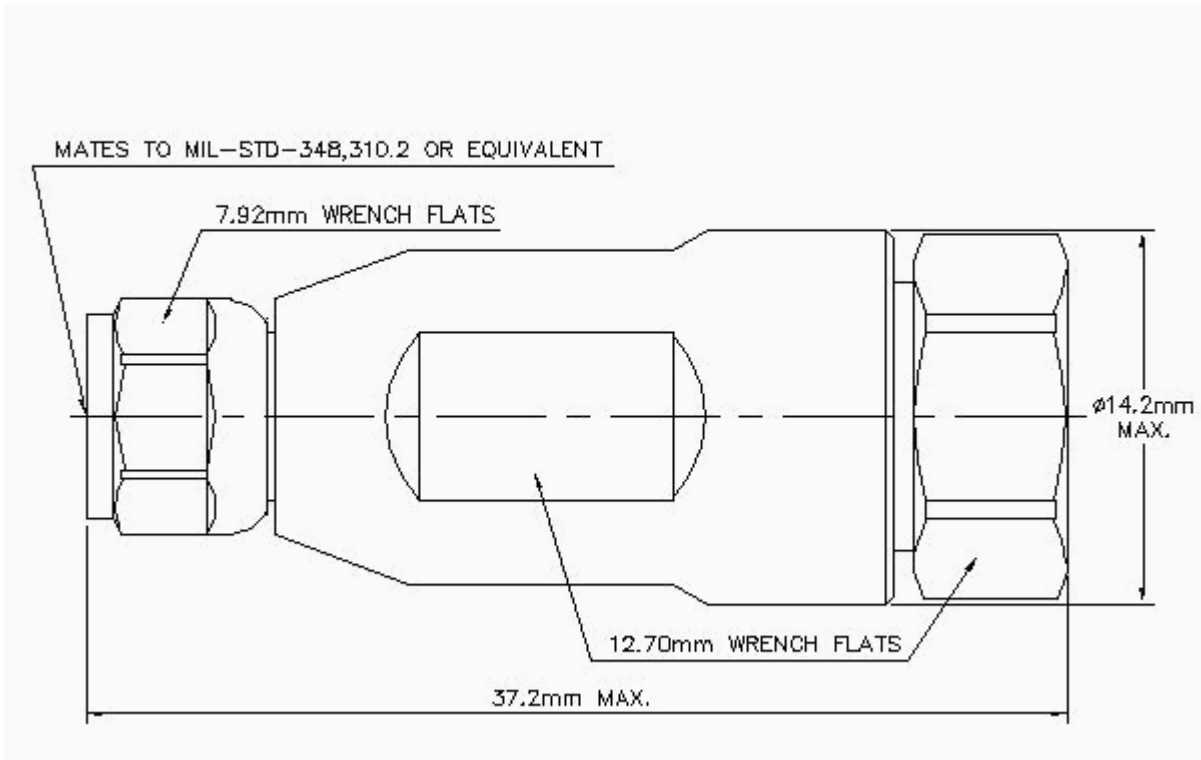


**F1TSM-C**

**SMA male for 1/4" FSJ1-50A cable**



**CHARACTERISTICS**

**Electrical**

Recommended maximum operating frequency, GHz	18.00	
Peak power, max, kW	2.50	
Average power, max, kW @ 900 MHz	0.10	
dc test maximum voltage	1,000.00	
RF operating voltage, max, VRMS	354.00	
RF high potential, max, VRMS	495.00	
3rd order IM, product typical @ 910 MHz, -dBm (Method)	-110.00	
Insulation resistance, min, Megaohms	5,000.00	
Shielding effectiveness, dB	130.00	
Connector impedance, ohms	50.00	
Cable impedance, ohms	50.00	
Insertion loss, max, dB	0.05 $\sqrt{\text{frequency(GHz)}}$	
Connector Return Loss, dB		
Start	Stop	Return Loss
0.05	- 2.00 GHz	35.00
2.00	- 3.00 GHz	30.00
3.00	- 6.00 GHz	25.00
6.00	- 8.00 GHz	18.00

**Mechanical**

Inner attachment method Captivated

**Customer Support Center:**

From North America: 1-800-255-1479  
 International: +1-708-873-2307

This Specification Sheet is for reference only and is subject to change without notice.  
 Copyright © 2005 Andrew Corporation  
 17 June 2005

## F1TSM-C

### SMA male for 1/4" FSJ1-50A cable

Outer attachment method	Clamp
Pressurizable	No
Insertion force, N (lb)	0.20 (0.05)

#### Environmental

Moisture resistance test	MIL-STD-202F, Method 106F
Mechanical shock test	MIL-STD-202F, Method 213B, Test Condition C
Corrosion test	MIL-STD-1344A, Method 1001.1, Test Cond. A
Thermal shock test	MIL-STD-202, Method 107, Cond A-1, Low Temp -55°C
Vibration test	IEC 68, Part 2-6
Operating temperature range, °C	-55.00°C - 85.00°C
Storage temperature range, °C	-55.00°C - 85.00°C

#### Components

Body {Trimetal Plate}	Material: Brass	Exterior finish: Trimetal Plate
Inner Contact {Gold Plate}	Material: Brass	Exterior finish: Gold Plate
Insulator	Material: PTFE	
Bushing {Trimetal Plate}	Material: Brass	Exterior finish: Trimetal Plate
Attachment Nut (Trimetal Plate)	Material: Brass	Exterior finish: Trimetal Plate
O-Ring	Material: Silicone Rubber	
Coupling Nut	Material: Brass	Exterior finish: Trimetal Plate

#### Customer Support Center:

From North America: 1-800-255-1479  
 International: +1-708-873-2307

[www.andrew.com](http://www.andrew.com)

This Specification Sheet is for reference only and is subject to change without notice.  
 Copyright © 2005 Andrew Corporation  
 17 June 2005