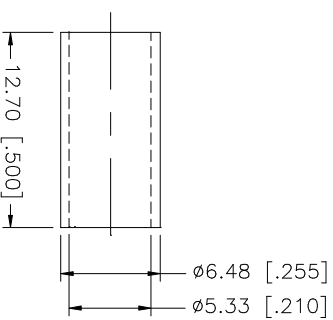
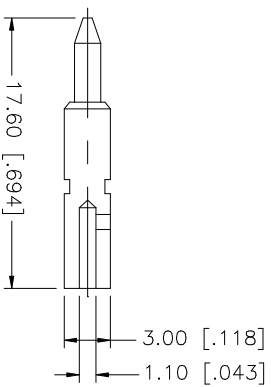
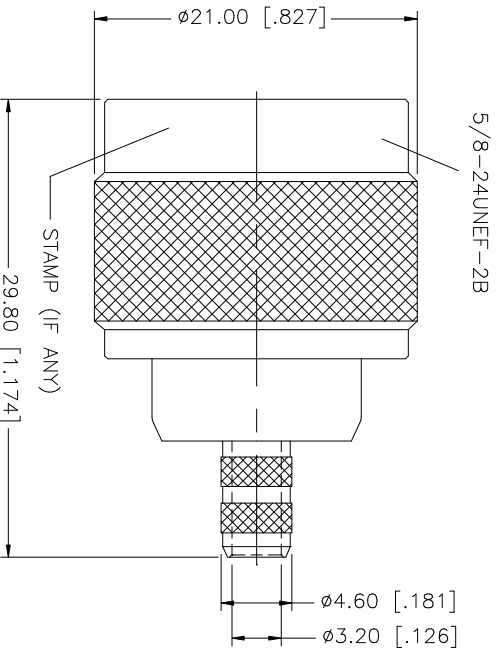
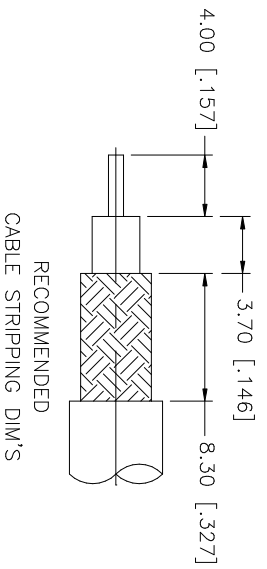


| REV. | DATE | DESCRIPTION |
|------|----------|---------------------------|
| A | 07/21/99 | ADD BARREL/ FERRULE DIMS. |
| B | 04/31/03 | UPDATE DRAWING FORMAT |



NOTE:

1. CRIMPED FERRULE
HEX CRIMP SIZE .213"
2. CRIMPED CONTACT PIN
HEX. CRIMP SIZE .100"

| UNLESS OTHERWISE SPECIFIED DIMENSIONS ARE IN MILLIMETERS. DIMENSIONS IN [] ARE IN INCHES AND FOR CUSTOMER REFERENCE ONLY. | UNLESS OTHERWISE SPECIFIED TOLERANCES FOR MILLIMETERS ARE: | UNLESS OTHERWISE SPECIFIED TOLERANCES FOR INCHES ARE: | APPROVALS | DATE | PART DESCRIPTION |
|--|--|---|-----------|-------------------|------------------|
| | 0.5 - 8mm ± 0.20mm | .020 - .315 = ± 0.007" | DRAWN | G.R.S. | 04/31/03 |
| | 8 - 30mm ± 0.40mm | .315 - 1.180 = ± 0.015" | CHECKED | | |
| | 30 - 120mm ± 0.50mm | 1.180 - 4.724 = ± 0.020" | ISSUED | | |
| 1 | | | SHEET | 1 OF 1 | |
| 2 | | | CAD FILE | C:/172/172100.DWG | |
| 3 | | | DWG. NO. | 172100.DWG | |
| 4 | | | REV. | B | |
| 5 | | | SIZE | A | |
| 6 | | | SCALE | NA | |
| 7 | | | | | |
| 8 | | | | | |

Amphenol Connex

N CRIMP PLUG
(FOR RG-58/U, 141/U CABLE)

172100