

POWERED BY



L4PDM-RC

7-16 DIN Male RingFlare™ for 1/2 in LDF4-50A cable

## OBSOLETE

### Replaced By:

L4TDM-PS	7-16 DIN Male Positive Stop™ for 1/2 in LDF4-50A cable
L4TDM-PSA	7-16 DIN Male Positive Stop™ for 1/2 in AL4RPV-50, LDF4-50A cable

## General Specifications

Interface	7-16 DIN Male
Body Style	Straight
Brand	HELIAX®   RingFlare™
Mounting Angle	Straight

## Electrical Specifications

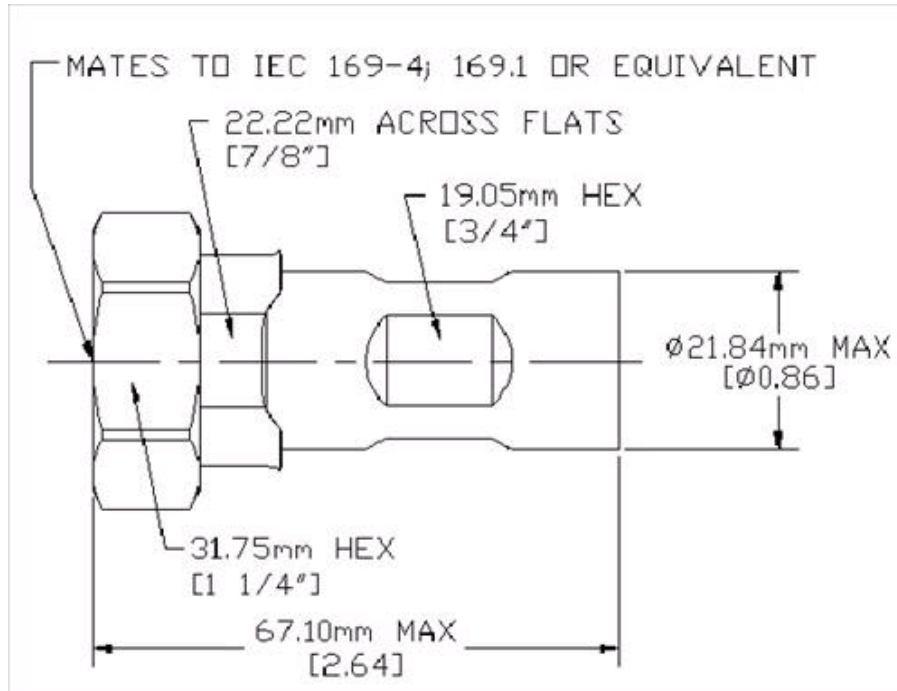
Connector Impedance	50 ohm
Operating Frequency Band	0 – 8800 MHz
Cable Impedance	50 ohm
3rd Order IMD, typical	-120 dBm @ 910 MHz
3rd Order IMD Test Method	Two +43 dBm carriers
RF Operating Voltage, maximum (vrms)	1415.00 V
dc Test Voltage	2000 V
Outer Contact Resistance, maximum	1.50 mOhm
Inner Contact Resistance, maximum	0.80 mOhm
Insulation Resistance, minimum	5000 MOhm
Average Power	1.1 kW @ 900 MHz
Peak Power, maximum	40.00 kW
Insertion Loss, typical	0.05 dB
Shielding Effectiveness	-110 dB

L4PDM-RC

POWERED BY



## Outline Drawing



## Mechanical Specifications

Outer Contact Attachment Method	Ring-flare
Inner Contact Attachment Method	Captivated
Outer Contact Plating	Trimetal
Inner Contact Plating	Silver
Attachment Durability	25 cycles
Interface Durability	500 cycles
Interface Durability Method	IEC 61169-4:9.5
Connector Retention Tensile Force	890 N   200 lbf
Connector Retention Torque	5.42 N-m   48.00 in lb
Insertion Force	200.17 N   45.00 lbf
Insertion Force Method	IEC 61169-1:15.2.4
Pressurizable	No
Coupling Nut Proof Torque	25.00 N-m   221.27 in lb
Coupling Nut Retention Force	1000.00 N   224.81 lbf
Coupling Nut Retention Force Method	MIL-C-39012C-3.25, 4.6.22

## Dimensions

Nominal Size	1/2 in
Diameter	35.56 mm   1.40 in
Length	67.01 mm   2.64 in
Weight	180.00 g   0.40 lb

L4PDM-RC

POWERED BY



## Environmental Specifications

Operating Temperature	-55 °C to +85 °C (-67 °F to +185 °F)
Storage Temperature	-55 °C to +85 °C (-67 °F to +185 °F)
Immersion Depth	1 m
Immersion Test Mating	Mated
Immersion Test Method	IEC 60529:2001, IP68
Water Jetting Test Mating	Mated
Water Jetting Test Method	IEC 60529:2001, IP66
Moisture Resistance Test Method	MIL-STD-202F, Method 106F
Mechanical Shock Test Method	MIL-STD-202, Method 213, Test Condition I
Thermal Shock Test Method	MIL-STD-202, Method 107, Test Condition A-1, Low Temperature -55 °C
Vibration Test Method	MIL-STD-202F, Method 204D, Test Condition B
Corrosion Test Method	MIL-STD-1344A, Method 1001.1, Test Condition A

## Standard Conditions

Attenuation, Ambient Temperature	20 °C   68 °F
Average Power, Ambient Temperature	40 °C   104 °F

## Return Loss/VSWR

Frequency Band	VSWR	Return Loss (dB)
0–1600 MHz	1.02	39.00
1600–2000 MHz	1.03	36.00
2000–4000 MHz	1.05	33.00
4000–6000 MHz	1.07	30.00
6000–7000 MHz	1.12	25.00
7000–8000 MHz	1.15	23.00
8000–8800 MHz	1.2	21.00

## Regulatory Compliance/Certifications

Agency	Classification
RoHS 2011/65/EU	Compliant by Exemption
China RoHS SJ/T 11364-2006	Above Maximum Concentration Value (MCV)



## \* Footnotes

Immersion Depth	Immersion at specified depth for 24 hours
Insertion Loss, typical	$0.05\sqrt{\text{freq}}$ (GHz) (not applicable for elliptical waveguide)