

Product Brief

L4TNF-PS



Positive Stop™ Connectors

Secure, foolproof, no-special-tools required connection every time



Ease connector attachment issues and ensure excellent RF transmission line performance with Positive Stop Connectors from Andrew.

Revolutionary Positive Stop Connectors for HELIAX corrugated coaxial cables require no special tools or torque wrenches, eliminating both guess work and time consuming measurements.

Using standard wrenches and in less than one rotation, Positive Stop Connectors give the installer a clear visual and mechanical verification of a correct fit, sealing out water and sealing in excellent electrical performance.

Positive Stop Connectors are waterproof, even unmated.

The connectors' easy verification eliminates the need to control torque levels and provides consistent attachment integrity and electrical performance.

- No special tools required
- Full tightens in less than one rotation
- Visual and mechanical verification
- Integrated sealing mechanism
- Faster, easier installation
- Excellent electrical performance

Product Specifications



L4TNF-PS

Type N Female Positive Stop™ for 1/2 in LDF4-50A cable

CHARACTERISTICS

General Specifications

Interface	N Female
Body Style	Straight
Brand	HELIAX® Positive Stop™
Mounting Angle	Straight

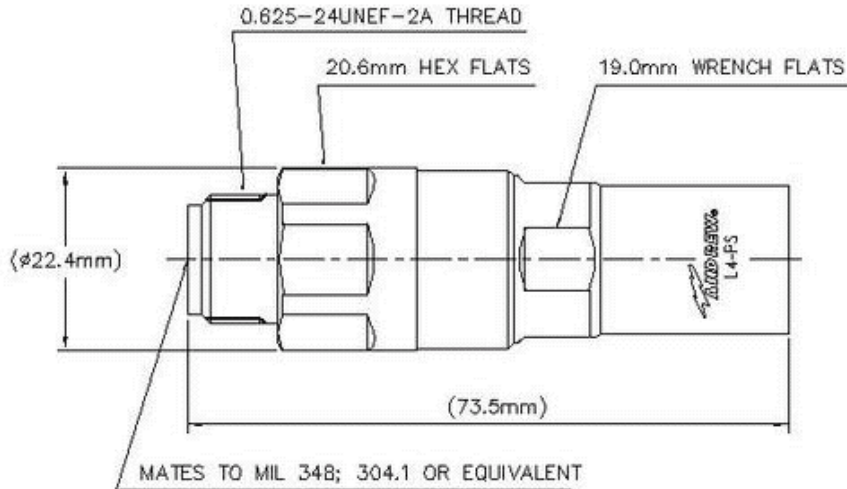
Electrical Specifications

Connector Impedance	50 ohm
Operating Frequency Band	0 – 8800 MHz
Cable Impedance	50 ohm
3rd Order IMD	-116 dBm @ 910 MHz
3rd Order IMD Test Method	Two +43 dBm Carriers
RF Operating Voltage, maximum (vrms)	707.00 V
dc Test Voltage	2000 V
Outer Contact Resistance, maximum	0.30 mOhm
Inner Contact Resistance, maximum	2.00 mOhm
Insulation Resistance, minimum	5000 MOhm
Average Power	0.6 kW @ 900 MHz
Peak Power, maximum	10.00 kW
Insertion Loss, typical	0.05 dB
Shielding Effectiveness	-130 dB

Product Specifications

L4TNF-PS

Outline Drawing



Mechanical Specifications

Outer Contact Attachment Method	Ring-flare
Inner Contact Attachment Method	Captivated
Outer Contact Plating	Trimetal
Inner Contact Plating	Silver
Attachment Durability	25 cycles
Interface Durability	500 cycles
Interface Durability Method	IEC 169-16:9.5
Connector Retention Tensile Force	890 N 200 lbf
Connector Retention Torque	5.42 N-m 48.00 in lb
Insertion Force	66.72 N 15.00 lbf
Insertion Force Method	MIL-C-39012C-3.12, 4.6.9
Pressurizable	No

Dimensions

Nominal Size	1/2 in
Diameter	22.40 mm 0.88 in
Length	111.00 mm 4.37 in
Weight	117.00 g 0.26 lb

Environmental Specifications

Product Specifications

L4TNF-PS

Operating Temperature	-55 °C to +85 °C (-67 °F to +185 °F)
Storage Temperature	-55 °C to +85 °C (-67 °F to +185 °F)
Immersion Depth	1 m
Immersion Test Mating	Unmated
Immersion Test Method	IEC 60529:2001, IP68
Water Jetting Test Mating	Unmated
Water Jetting Test Method	IEC 60529:2001, IP66
Moisture Resistance Test Method	MIL-STD-202F, Method 106F
Mechanical Shock Test Method	MIL-STD-202, Method 213, Test Condition I
Thermal Shock Test Method	MIL-STD-202F, Method 107G, Test Condition A-1, Low Temperature -55 °C
Vibration Test Method	IEC 60068-2-6
Corrosion Test Method	MIL-STD-1344A, Method 1001.1, Test Condition A

Standard Conditions

Attenuation, Ambient Temperature	20 °C 68 °F
Average Power, Ambient Temperature	40 °C 104 °F

Return Loss

Frequency Band	VSWR	Return Loss (dB)
50–1000 MHz	1.02	39.00
1010–2200 MHz	1.03	37.00
2210–3000 MHz	1.05	33.00
3010–4000 MHz	1.07	29.00
4010–6000 MHz	1.12	25.00

Regulatory Compliance/Certifications

Agency	Classification
RoHS 2002/95/EC	Compliant by Exemption
China RoHS SJ/T 11364-2006	Above Maximum Concentration Value (MCV)



* Footnotes

Immersion Depth	Immersion at specified depth for 24 hours
Insertion Loss, typical	$0.05\sqrt{\text{freq (GHz)}}$ (not applicable for elliptical waveguide)