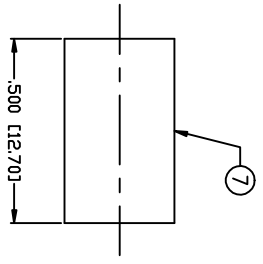
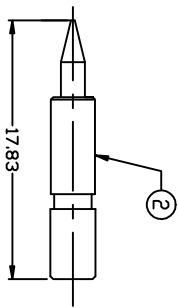
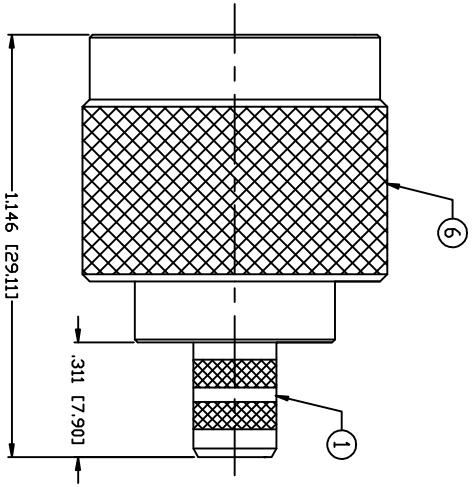


THIS DRAWING CONTAINS INFORMATION PROPRIETARY TO RF INDUSTRIES,
 ANY UNAUTHORIZED USE OF THIS DRAWING IS EXPRESSLY PROHIBITED
 WITHOUT WRITTEN PERMISSION FROM RF INDUSTRIES.
 ANY VIOLATION IS PUNISHABLE UNDER U.S. COPYRIGHT LAWS.

ALL DIMENSIONS ARE REFERENCE ONLY



RECOMMENDED
CRIMP DIE: .100"

RECOMMENDED
CRIMP DIE: .255"

SPECIFICATIONS:

IMPEDANCE: 50 Ohms
 FREQUENCY RANGE: 0-11 GHz
 VSWR: 1.3 Max.
 INSERTION LOSS: .06 dB Max. X GHz
 WORKING VOLTAGE: 1k V/√fms @ sea level
 TEMPERATURE RANGE: -65°C TO 85°C
 INSULATION RESISTANCE: 5k M Ohms min.
 FOR RG-8/X, BELDEN 9258, MAXRAD M8X-100 &
 M8X-1000, MICRO 8/U, REMEE 1600, SAXTON 8315 &
 TIMES LMR-240 & LMR-240 ULTRAFLEX CABLE

UNLESS OTHERWISE SPECIFIED:

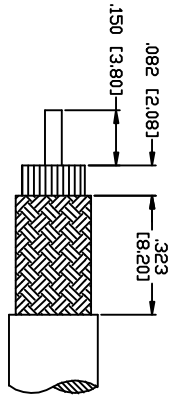
1. REMOVE ALL BURRS
2. BREAK ALL CORNERS & EDGES .005 R. MAX.
3. CHAMFER 1ST & LAST THREADS 45°
4. SURFACE ROUGHNESS 63 FINISH MIL-SM-10
5. DIMENSIONS ON COMMON CENTERS TO BE CONCENTRIC WITHIN .002 T.I.R.
6. ALL DIMENSIONS ARE AFTER PLATING.

DIMENSIONS ARE IN INCHES
 AND [MILLIMETERS]

UNLESS OTHERWISE NOTED
 TOLERANCES ARE:

DECIMALS .XXX±.003 [.08]
 .XX±.005 [.13]
 DIAMETER .XXXX.001 [.03]
 .XX±.003 [.08]

PART NO.		DESCRIPTION		DWN	DATE	APPROVED
REV		DESCRIPTION				
H		STANDARDIZE SHELL, BODY & DIELECTRIC / CHG STRIP INSTR	CZS	2/11/99	R. RICE	
J		CHANGE TO KNURLED FERRULE STUD / RELOCATE BARB	CZS	9/8/00	JDMc	
K		CHANGE STRIPING, SPECS, FORMAT & DWG # 7879	GGG	3/5/02	JDMc	
L		STANDARDIZED THE PIN AND DIELECTRIC	JDM	3/22/12	JDMc	



RECOMMENDED
STRIPPING DIMENSIONS

RF Connectors
 DIVISION OF RF INDUSTRIES, LTD.
 7610 MIRAMAR RD
 SAN DIEGO, CA 92126
 (858) 549-6340
 (858) 549-6345 FAX

N PLUG CRIMP

#	DESCRIPTION	QTY	MATRL	FINISH	APPROVALS	DATE
1	BODY	1	BRASS	SILVER, 80μ"	000486	
2	PIN	1	BRASS	GOLD, 3μ"		
3	DIELECTRIC	1	PTFE	---		
4	RETAINING RING	1	BRASS	---		
5	GASKET	1	RUBBER	---		
6	SHELL	1	BRASS	SILVER, 80μ"		
7	FERRULE	1	BRASS	SILVER, 80μ"		
8	GROUND RING	1	BRASS	SILVER, 80μ"		
9						
10						
11						
12						
13						
14						

SCALE: NTS

CAD FILE OUTLINE

SHEET 1 OF 1