

ATTENUATORS

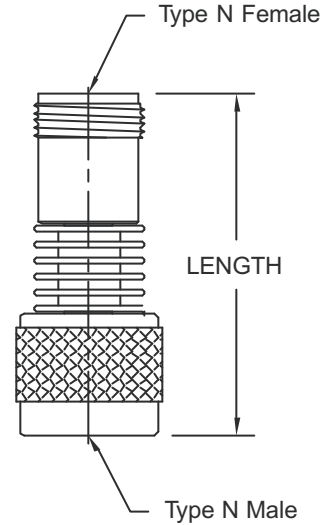
Type N, up to 18 GHz, 5 Watts

SPECIFICATIONS:

Models: 18N5W-XX, 18N5W-XXF & 18N5W-XXM

RoHS
Compliant

Electrical:	
Frequency Range _____	DC - 18 GHz
Standard Freq. Values _____	6 & 18 GHz
Standard dB Values* _____	0 - 10, 12, 15, 20, 30 & 40 dB
Attenuation Accuracy _____	In 1 dB Increments
0 - 6 dB _____	±0.3 dB
7 - 20 dB _____	±0.5 dB
21 - 30 dB _____	±0.75 dB
40 dB _____	±1.5 dB
VSWR	
DC - 4 GHz _____	1.15:1 Max.
4 - 8 GHz _____	1.20:1 Max.
8 - 12.4 GHz _____	1.25:1 Max.
12.4 - 18 GHz _____	1.35:1 Max.
Input Power _____	5 Watts Avg. @ 25°C
	Derated Linearly to 1 Watt @ +125°C
Impedance _____	50 Ohms
Operating Temp Range _____	-65°C to +125°C
Mechanical:	
Type N Connectors _____	Passivated Stainless Steel
	Mates with MILSTD-348
Conductors _____	Gold Plated Beryllium Copper
Housing _____	Anodized Aluminum



Connector Configuration	LENGTH	
	0 - 30 & 40 dB	
	Inches	Millimeters
Male/Female	1.90 ±.05	[48.3 ±1.3]
Male/Male	1.82 ±.05	[46.2 ±1.3]
Female/Female	1.99 ±.05	[50.5 ±1.3]

HOW TO ORDER:

Model Number: **XXN5W-XXY**

Freq. Range
 6 = DC - 6 GHz
 18 = DC - 18 GHz

Connector Configuration
 = Male/Female
 F = Fem/Fem
 M = Male/Male

dB Value

Ordering Examples:

Model Number: **18N5W-06F**
 DC - 18 GHz, 6 dB; Type N - Fem/Fem

Note: Dimensions in Brackets are Expressed in Millimeters and are for Reference Only.
 *Other dB values, units that operated over a more specific frequency band and/or offer very low return loss (VSWR) are also available.

XXN5W-ATT: REV M (M)



Aeroflex / Inmet, Inc. • 300 Dino Drive, Ann Arbor, MI 48103 • U.S.A.
 888-244-6638 or 734-426-5553 • FAX: 734-426-5557
 www.aeroflex.com/inmet • inmet@aeroflex.com