

# Product Specifications

41SP

UHF Male for 1/4 in FSJ1-50A cable



## CHARACTERISTICS

### General Specifications

---

Interface	UHF Male
Body Style	Straight
Mounting Angle	Straight

### Electrical Specifications

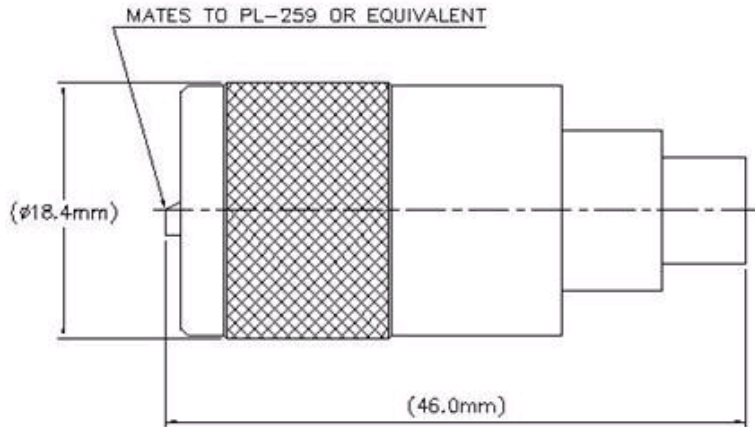
---

Connector Impedance	50 ohm
Operating Frequency Band	0 – 3000 MHz
Cable Impedance	50 ohm
3rd Order IMD	-112 dBm @ 910 MHz
3rd Order IMD Test Method	Two +43 dBm carriers
Average Power	0.4 kW @ 900 MHz

# Product Specifications

41SP

## Outline Drawing



## Mechanical Specifications

Outer Contact Plating	Nickel
Inner Contact Plating	Silver
Interface Durability	500 cycles
Interface Durability Method	IEC 61169-4:17
Connector Retention Tensile Force	450 N   101 lbf
Connector Retention Torque	1.40 N-m   1.03 ft lb
Pressurizable	No

## Dimensions

Nominal Size	1/4 in
Diameter	18.42 mm   0.73 in
Height	18.42 mm   0.73 in
Length	43.64 mm   1.72 in
Weight	61.00 g   0.13 lb
Width	18.42 mm   0.73 in

## Environmental Specifications

Operating Temperature	-55 °C to +85 °C (-67 °F to +185 °F)
Storage Temperature	-65 °C to +125 °C (-85 °F to +257 °F)
Moisture Resistance Test Method	IEC 60068-2-3

# Product Specifications



41SP

Mechanical Shock Test Method	IEC 60068-2-27
Thermal Shock Test Method	IEC 60068-2-14
Vibration Test Method	IEC 60068-2-6
Corrosion Test Method	IEC 60068-2-11

## Standard Conditions

Attenuation, Ambient Temperature	20 °C   68 °F
Average Power, Ambient Temperature	40 °C   104 °F
Average Power, Inner Conductor Temperature	100 °C   212 °F

## Return Loss

Frequency Band	VSWR	Return Loss (dB)
45-400 MHz	1.15	23.00

## Regulatory Compliance/Certifications

Agency	Classification
RoHS 2002/95/EC	Compliant by Exemption
China RoHS SJ/T 11364-2006	Above Maximum Concentration Value (MCV)

