

Terminations

SMA, up to 18 GHz, 1 Watt

SPECIFICATIONS:

Models: 3016B, 3016BC

RoHS
Compliant

AEROFLEX
A passion for performance.

Electrical:

Frequency Range _____ DC - 18 GHz
VSWR

DC - 8 GHz _____ 1.10:1 Max.

8 - 12.4 GHz _____ 1.15:1 Max.

12.4 - 18 GHz _____ 1.20:1 Max.

Impedance _____ 50 Ohms

Input Power _____ 1 Watt Avg. @ +25°C
Derated Linearly to 0 Watts @ +125°C

Operating Temp Range _____ -55°C to +125°C

Mechanical:

SMA Connectors

Mates with MIL-STD-348

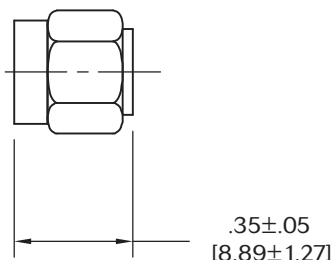
Body _____ Passivated Stainless Steel

Coupling Nut _____ Passivated Stainless Steel

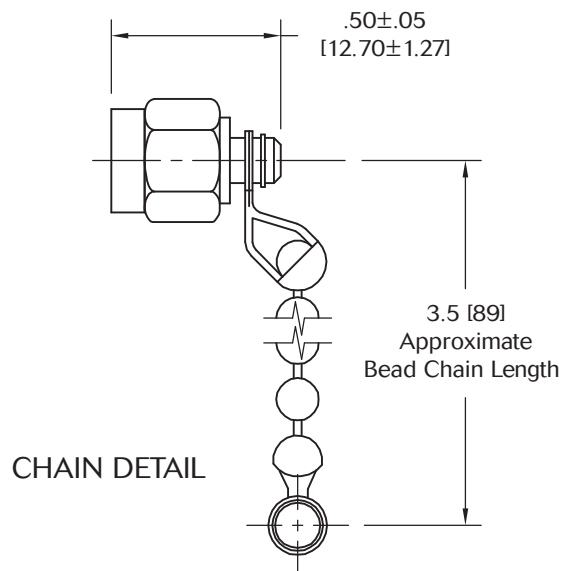
Conductors _____ Gold Plated Beryllium Copper or Brass

Bead Chain _____ Passivated Stainless Steel

Model Number: **3016B**
SMA Male Connector



Model Number: **3016BC**
SMA Male Connector



HOW TO ORDER:

Model Number: **3016BX**

Style
= No Chain
C = Chain Included

Ordering Examples:

Model Number: **3016BC**
DC - 18 GHz; SMA Male; Chain Included

Model Number: **3016B**
DC - 18 GHz; SMA Male: No Chain

Note: Dimensions in Brackets are Expressed in Millimeters and are for Reference Only.
Design specifications are subject to change without notice.
Contact factory for technical specifications before purchasing or use.

3016B: REV A

AEROFLEX
INMET

Aeroflex / Inmet, Inc. • 300 Dino Drive, Ann Arbor, MI 48103 • U.S.A.
888-244-6638 or 734-426-5553 • FAX: 734-426-5557
www.aeroflex.com/inmet • inmet@aeroflex.com