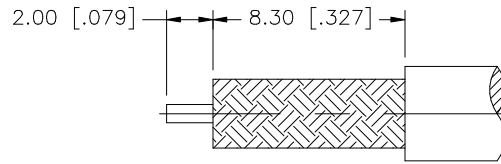
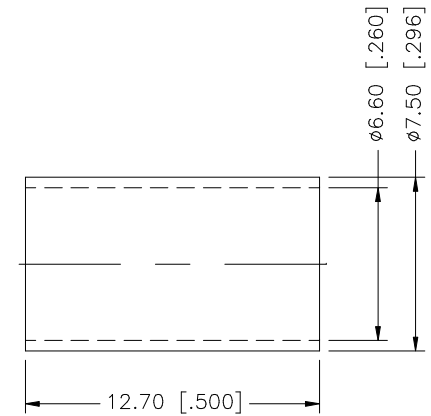
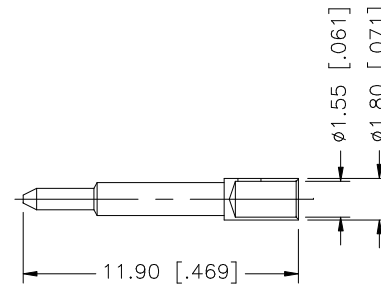
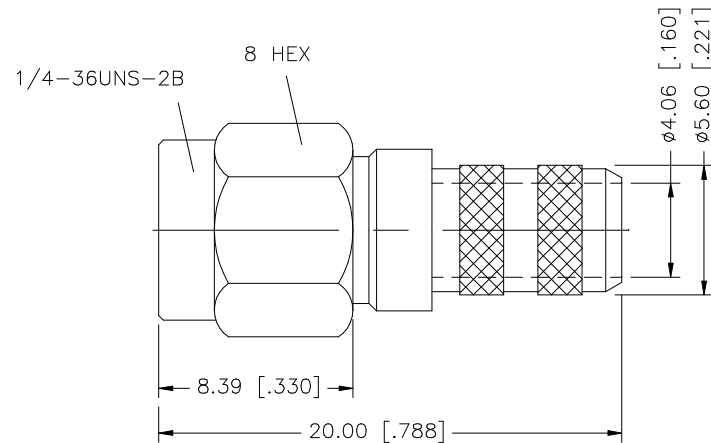


REV.	DATE	DESCRIPTION
A	11/26/03	UPDATE DRAWING FORMAT



RECOMMENDED
CABLE STRIPPING DIM'S



NOTES:

1. CRIMPED FERRULE
HEX CRIMP SIZE .255"
2. CONTACT PIN TO SOLDER

DESCRIPTION	MATERIAL	FINISH	QTY	DO NOT SCALE DRAWING	APPROVALS	DATE	<h1 style="text-align: center; color: blue;">Amphenol Connex</h1>								
8					DRAWN	G.R.S.	11/26/03	<p style="text-align: center;">SMA CRIMP PLUG (FOR RG-8/X, LMR-240)</p>							
7					CHECKED										
6	FERRULE	BRASS	GOLD	1	ISSUED			PART DESCRIPTION							
5	HEX NUT	BRASS	GOLD	1	SHEET	1 OF 1		PART NO. 132231							
4	LOCK WASHER	BRASS	GOLD	1	CAD FILE	C:/132/132231.DWG		DWG. NO.	132231.DWG	REV.	NC	SIZE	A	SCALE	NA
3	CONTACT PIN	PHOS. BRONZE	GOLD	1	<small>UNLESS OTHERWISE SPECIFIED DIMENSIONS ARE IN MILLIMETERS. DIMENSIONS IN [] ARE IN INCHES AND FOR CUSTOMER REFERENCE ONLY.</small> <small>UNLESS OTHERWISE SPECIFIED TOLERANCES FOR MILLIMETERS ARE:</small> 0.5 - 8mm ± 0.20mm 8 - 30mm ± 0.40mm 30 - 120mm ± 0.50mm <small>UNLESS OTHERWISE SPECIFIED TOLERANCES FOR INCHES ARE:</small> .020 - .315 = ± 0.007" .315 - 1.180 = ± 0.015" 1.180 - 4.724 = ± 0.020"										
2	INSULATOR	TEFLON	NATURAL	1											
1	HOUSING/BODY	BRASS	GOLD	1											