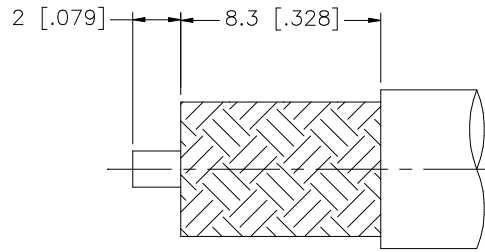
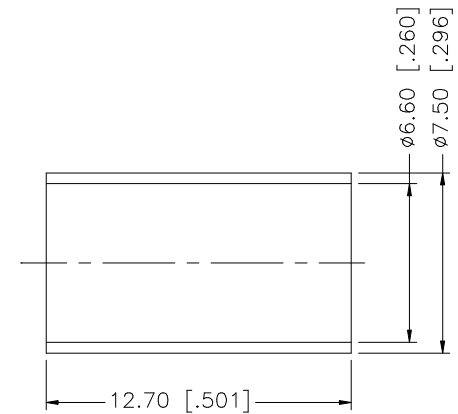
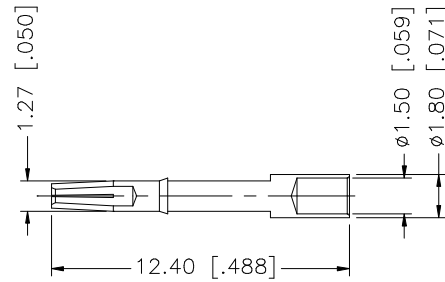
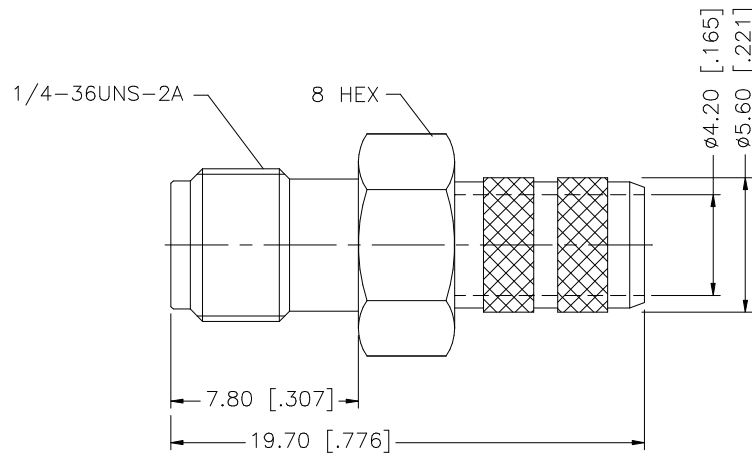


REV.	DATE	DESCRIPTION
NC	12/08/01	INITIAL RELEASE
A	01/08/07	UPDATE DRAWING FORMAT



RECOMMENDED  
CABLE STRIPPING DIM'S



NOTE:

1. CRIMPED FERRULE HEX CRIMP SIZE .255.
2. CONTACT PIN TO SOLDER.

8				<small>UNLESS OTHERWISE SPECIFIED DIMENSIONS ARE IN MILLIMETERS. DIMENSIONS IN [ ] ARE IN INCHES AND FOR CUSTOMER REFERENCE ONLY.</small>  <small>UNLESS OTHERWISE SPECIFIED TOLERANCES FOR MILLIMETERS ARE:  0.5 - 8mm ± 0.20mm  8 - 30mm ± 0.40mm  30 - 120mm ± 0.50mm</small>  <small>UNLESS OTHERWISE SPECIFIED TOLERANCES FOR INCHES ARE:  .020 - .315 ± ± 0.007"  .315 - 1.180 ± ± 0.015"  1.180 - 4.724 ± ± 0.020"</small>	APPROVALS	DATE	<h1 style="color: blue;">Amphenol Connex</h1>		
7			DRAWN		G.R.S.	01/08/07		<b>SMA CRIMP JACK (FOR RG-8/X, LMR240)</b>	
6			CHECKED						PART DESCRIPTION
5			ISSUED						PART NO.
4	FERRULE	COPPER	GOLD		1				132240
3	CONTACT PIN	BER. COPPER	GOLD	1			DWG. NO. 132240.DWG		
2	INSULATOR	TEFLON	NATURAL	1			REV. A		
1	BODY	BRASS	GOLD	1			SIZE A		
	DESCRIPTION	MATERIAL	FINISH	QTY	DO NOT SCALE DRAWING	C:/132/132240.DWG	SCALE NA		