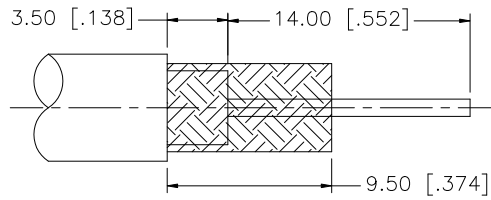
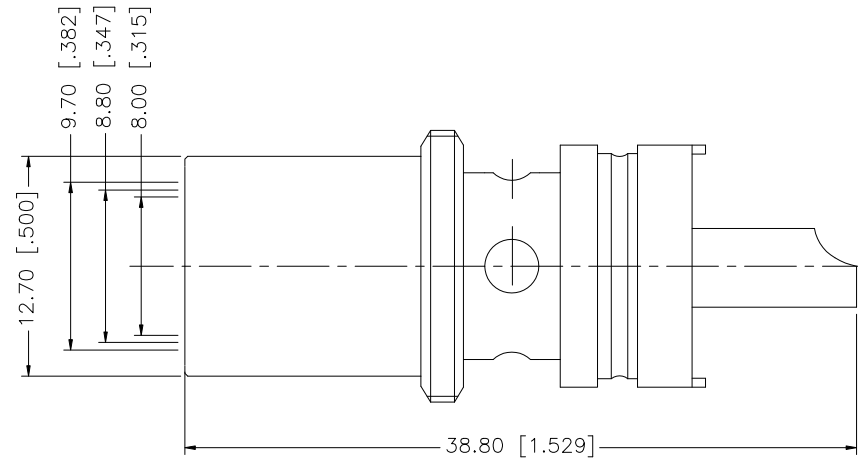
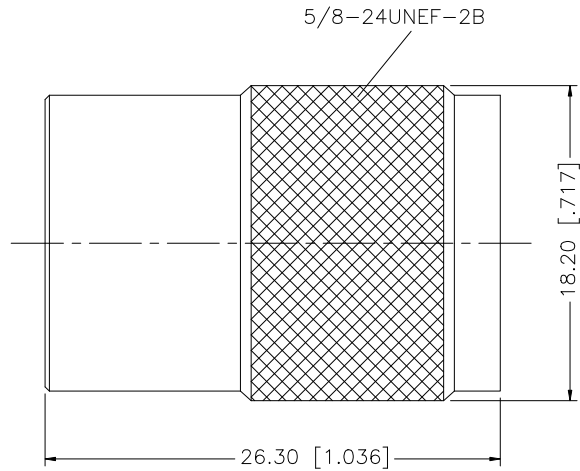


REV.	DATE	ECR NO.	DESCRIPTION
NC	02/17/98	-	INITIAL RELEASE
A	01/05/06	-	UPDATE DRAWING FORMAT
B	03/24/09	-	SEPERATE BODY AND SHELL



RECOMMENDED CABLE STRIPPING DIM'S



8				
7				
6				
5				
4	CONTACT PIN	BRASS	SILVER	1
3	INSULATOR	P.T.F.E.	NATURAL	1
2	BODY	BRASS	SILVER	1
1	SHELL	BRASS	SILVER	1
	DESCRIPTION	MATERIAL	FINISH	QTY

UNLESS OTHERWISE SPECIFIED DIMENSIONS ARE IN MILLIMETERS. DIMENSIONS IN [] ARE IN INCHES AND FOR CUSTOMER REFERENCE ONLY.

UNLESS OTHERWISE SPECIFIED TOLERANCES FOR MILLIMETERS ARE:
0.5 - 8mm ± 0.20mm
8 - 30mm ± 0.40mm
30 - 120mm ± 0.50mm

UNLESS OTHERWISE SPECIFIED TOLERANCES FOR INCHES ARE:
.020 - .315 = ± 0.007"
.315 - 1.180 = ± 0.015"
1.180 - 4.724 = ± 0.020"

DO NOT SCALE DRAWING

APPROVALS		DATE
DRAWN	GRS	03/24/09
CHECKED		
ISSUED		
SHEET	1 OF 1	
CAD FILE	C:/182/182120.DWG	

Amphenol Connex

PART DESCRIPTION

UHF SOLDER PLUG
(FOR RG-8/U, RG-213/U CABLE)

PART NO.

182120

DWG. NO.

182120.DWG

REV. B

SIZE A

SCALE NA