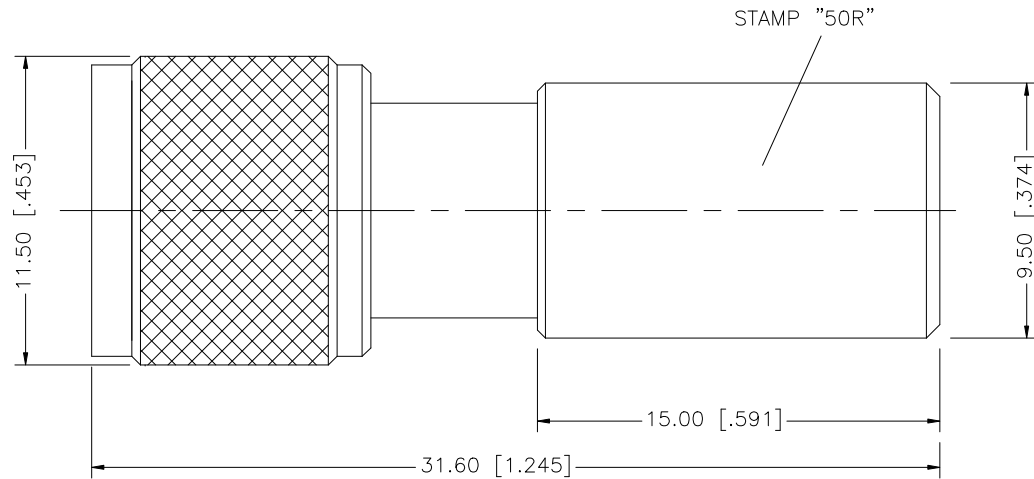


REV.	DATE	ECR NO.	DESCRIPTION
NC	04/30/00	-	INITIAL RELEASE
A	04/30/08	100013	UPDATE DRAWING FORMAT



8				
7				
6				
5				
4	RESISTOR	50ohm	1 WATT 5%	1
3	CONTACT PIN	BRASS	GOLD	1
2	INSULATOR	PTFE	NATURAL	1
1	BODY	BRASS	NICKEL	1
	DESCRIPTION	MATERIAL	FINISH	QTY

UNLESS OTHERWISE SPECIFIED DIMENSIONS ARE IN MILLIMETERS. DIMENSIONS IN [] ARE IN INCHES AND FOR CUSTOMER REFERENCE ONLY.

UNLESS OTHERWISE SPECIFIED TOLERANCES FOR MILLIMETERS ARE:
0.5 - 8mm ± 0.20mm
8 - 30mm ± 0.40mm
30 - 120mm ± 0.50mm

UNLESS OTHERWISE SPECIFIED TOLERANCES FOR INCHES ARE:
.020 - .315 ± 0.007"
.315 - 1.180 ± 0.015"
1.180 - 4.724 ± 0.020"

DO NOT SCALE DRAWING

APPROVALS	DATE
DRAWN GRS	04/30/08
CHECKED	
ISSUED	
SHEET 1 OF 1	
CAD FILE	C:/182/182328.DWG

Amphenol Connex

PART DESCRIPTION

MINI-UHF PLUG TERMINATOR
1 WATT 5% - 50ohms

PART NO.

182328

DWG. NO.

182318.DWG

REV. A

SIZE A

SCALE NA