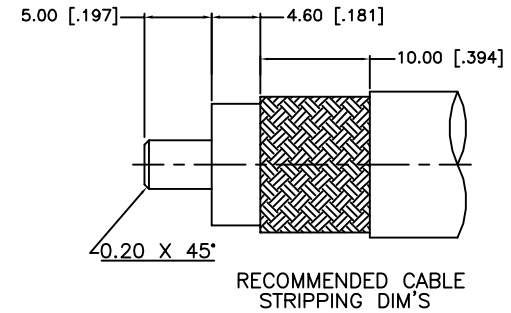
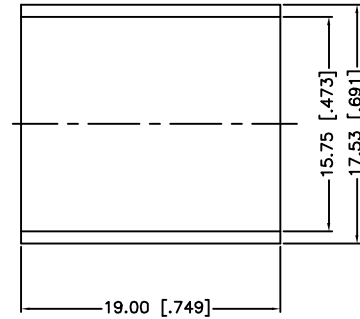
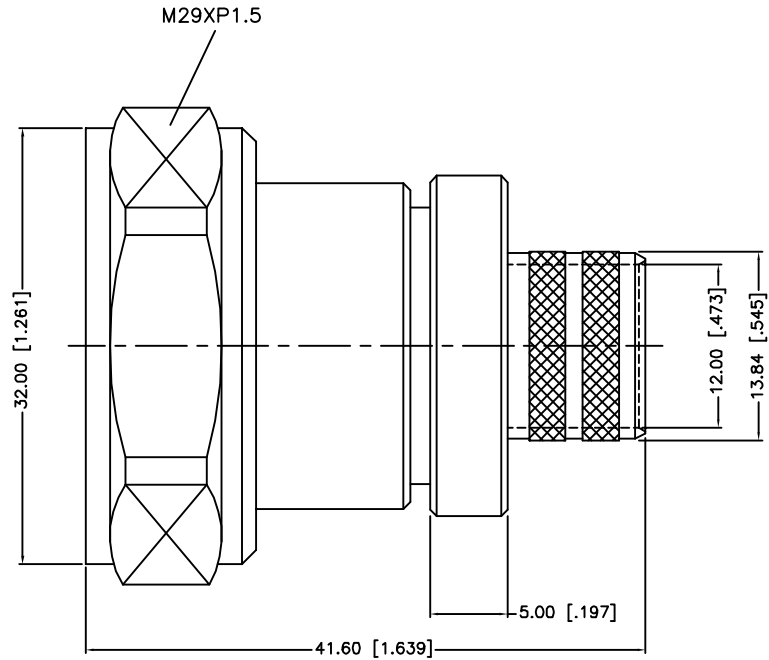


REV.	DATE	DESCRIPTION
NC	12/29/00	INITIAL RELEASE
A	12/15/06	UPDATE DRAWING FORMAT
B	01/29/10	ADDED CABLE STRIPPING DIMENSIONS



NOTES: FINISH (PLATING THICKNESS IN MICRO-INCHES)

1. BRASS PER QQ-B-626
2. SILVER PL. 120 MIN. THICK OVER COPPER STRIKE
3. BERYLLIUM COPPER PER QQ-C-530.
4. SILVER PL. 200 MIN. THICK OVER COPPER STRIKE
5. TEFLON MIL-P-19468

NO	DESCRIPTION	MATERIAL	FINISH	QTY
6	FERRULE	COPPER	NEXCOTE	1
5	GASKET	SILICONE	RED	1
4	CONTACT PIN	BER. COPPER	SILVER	1
3	INSULATOR	TEFLON	NATURAL	1
2	NUT	BRASS	NEXCOTE	1
1	BODY	BRASS	NEXCOTE	1

UNLESS OTHERWISE SPECIFIED DIMENSIONS ARE IN MILLIMETERS. DIMENSIONS IN [ ] ARE IN INCHES AND FOR CUSTOMER REFERENCE ONLY.

UNLESS OTHERWISE SPECIFIED TOLERANCES FOR MILLIMETERS ARE:  
0.5 - 8mm ± 0.20mm  
8 - 30mm ± 0.40mm  
30 - 120mm ± 0.50mm

UNLESS OTHERWISE SPECIFIED TOLERANCES FOR INCHES ARE:  
.020 - .315 = ± 0.007"  
.315 - 1.180 = ± 0.015"  
1.180 - 4.724 = ± 0.020"

DO NOT SCALE DRAWING

APPROVALS	DATE
DRAWN BALAJI M	01/29/10
CHECKED	
ISSUED	
SHEET 1 OF 1	
CAD FILE C:\272\272108.DWG	

# AMPHENOL CONNEX

PART DESCRIPTION

7/16 CRIMP PLUG  
(FOR LMR600 CABLE)

PART NO.

272108

DWG. NO.

272108.DWG

REV. B

SIZE A

SCALE NA