

POWERED BY



AL7NM-PSA

Type N Male Positive Stop™ for 1-5/8 in cable

General Specifications

| | |
|----------------|--------------------------|
| Interface | N Male |
| Body Style | Straight |
| Brand | HELIAX® Positive Stop™ |
| Mounting Angle | Straight |

Electrical Specifications

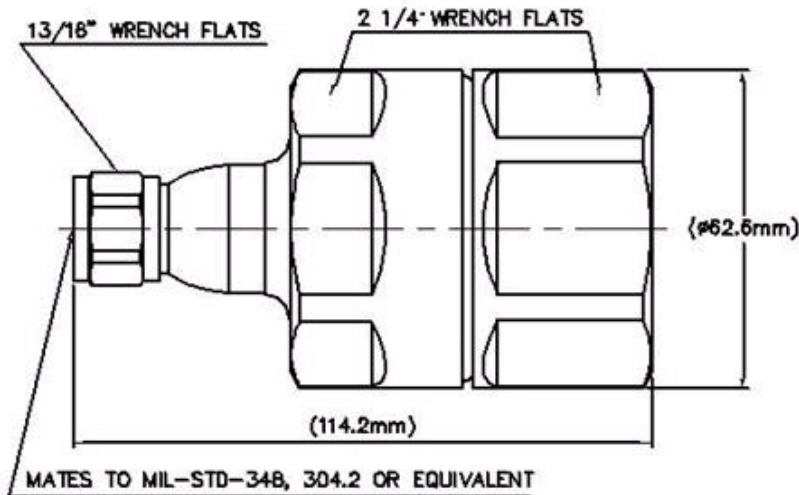
| | |
|--------------------------------------|----------------------|
| Connector Impedance | 50 ohm |
| Operating Frequency Band | 0 – 2700 MHz |
| Cable Impedance | 50 ohm |
| 3rd Order IMD, typical | -116 dBm @ 910 MHz |
| 3rd Order IMD Test Method | Two +43 dBm carriers |
| RF Operating Voltage, maximum (vrms) | 707.00 V |
| dc Test Voltage | 2000 V |
| Outer Contact Resistance, maximum | 0.30 mOhm |
| Inner Contact Resistance, maximum | 2.00 mOhm |
| Insulation Resistance, minimum | 5000 MOhm |
| Average Power | 0.6 kW @ 900 MHz |
| Peak Power, maximum | 10.00 kW |
| Insertion Loss, typical | 0.05 dB |
| Shielding Effectiveness | -130 dB |

AL7NM-PSA

POWERED BY



Outline Drawing



Mechanical Specifications

| | |
|-------------------------------------|---------------------------|
| Outer Contact Attachment Method | Ring-flare |
| Inner Contact Attachment Method | Captivated |
| Outer Contact Plating | Trimetal |
| Inner Contact Plating | Silver |
| Attachment Durability | 25 cycles |
| Interface Durability | 500 cycles |
| Interface Durability Method | IEC 61169-16:9.5 |
| Connector Retention Tensile Force | 2224 N 500 lbf |
| Connector Retention Torque | 13.56 N-m 120.00 in lb |
| Insertion Force | 66.72 N 15.00 lbf |
| Insertion Force Method | MIL-C-39012C-3.12, 4.6.9 |
| Pressurizable | No |
| Coupling Nut Proof Torque | 4.52 N-m 40.00 in lb |
| Coupling Nut Retention Force | 444.82 N 100.00 lbf |
| Coupling Nut Retention Force Method | MIL-C-39012C-3.25, 4.6.22 |

Dimensions

| | |
|--------------|---------------------|
| Nominal Size | 1-5/8 in |
| Diameter | 62.74 mm 2.47 in |
| Length | 114.19 mm 4.50 in |
| Weight | 768.00 g 1.69 lb |

Environmental Specifications

| | |
|-----------------------|--------------------------------------|
| Operating Temperature | -55 °C to +85 °C (-67 °F to +185 °F) |
|-----------------------|--------------------------------------|

AL7NM-PSA



| | |
|---------------------------------|---|
| Storage Temperature | -55 °C to +85 °C (-67 °F to +185 °F) |
| Immersion Depth | 1 m |
| Immersion Test Mating | Unmated |
| Immersion Test Method | IEC 60529:2001, IP68 |
| Water Jetting Test Mating | Unmated |
| Water Jetting Test Method | IEC 60529:2001, IP66 |
| Moisture Resistance Test Method | MIL-STD-202F, Method 106F |
| Mechanical Shock Test Method | MIL-STD-202F, Method 213B, Test Condition C |
| Thermal Shock Test Method | MIL-STD-202F, Method 107G, Test Condition A-1, Low Temperature -55 °C |
| Vibration Test Method | IEC 60068-2-6 |
| Corrosion Test Method | MIL-STD-1344A, Method 1001.1, Test Condition A |

Standard Conditions

| | |
|------------------------------------|----------------|
| Attenuation, Ambient Temperature | 20 °C 68 °F |
| Average Power, Ambient Temperature | 40 °C 104 °F |

Return Loss/VSWR

| Frequency Band | VSWR | Return Loss (dB) |
|----------------|------|------------------|
| 45–400 MHz | 1.02 | 39.00 |
| 401–805 MHz | 1.02 | 39.00 |
| 806–960 MHz | 1.02 | 39.00 |
| 961–1709 MHz | 1.03 | 37.00 |
| 1710–2170 MHz | 1.04 | 35.00 |
| 2170–2399 MHz | 1.07 | 30.00 |
| 2400–2700 MHz | 1.08 | 28.00 |

Regulatory Compliance/Certifications

| Agency | Classification |
|----------------------------|--|
| RoHS 2011/65/EU | Compliant by Exemption |
| China RoHS SJ/T 11364-2006 | Above Maximum Concentration Value (MCV) |
| ISO 9001:2008 | Designed, manufactured and/or distributed under this quality management system |



* Footnotes

| | |
|-------------------------|--|
| Immersion Depth | Immersion at specified depth for 24 hours |
| Insertion Loss, typical | $0.05\sqrt{\text{freq}}$ (GHz) (not applicable for elliptical waveguide) |