

Product Specifications

F1PNM-HF

Type N Male for 1/4 in FSJ1-50A cable



CHARACTERISTICS

General Specifications

Interface	N Male
Body Style	Straight
Brand	HELIAX [®]
Mounting Angle	Straight

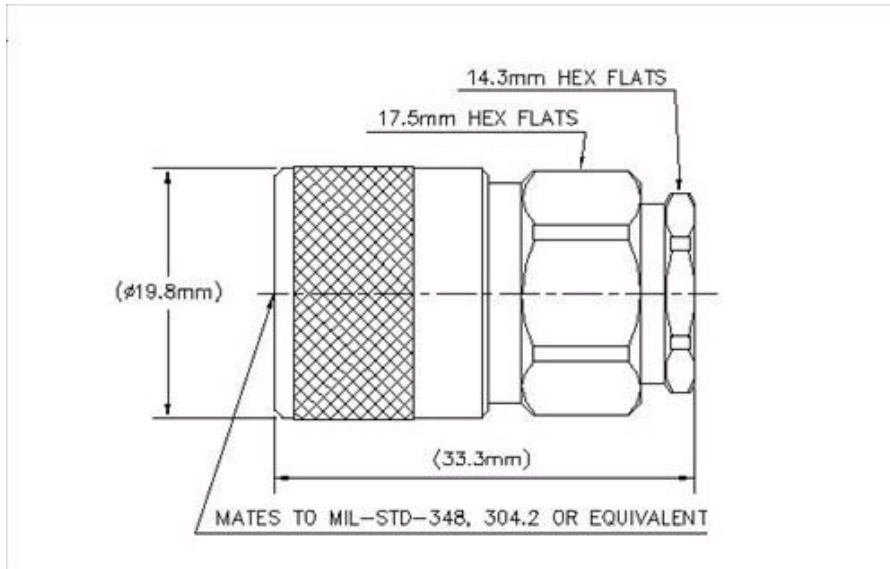
Electrical Specifications

Connector Impedance	50 ohm
Operating Frequency Band	0 – 18000 MHz
Cable Impedance	50 ohm
3rd Order IMD	-112 dBm @ 910 MHz
3rd Order IMD Test Method	Two +43 dBm carriers
RF Operating Voltage, maximum (vrms)	565.00 V
dc Test Voltage	1600 V
Outer Contact Resistance, maximum	0.25 mOhm
Inner Contact Resistance, maximum	1.00 mOhm
Insulation Resistance, minimum	5000 MOhm
Average Power	0.4 kW @ 900 MHz
Peak Power, maximum	6.40 kW
Shielding Effectiveness	-110 dB

Product Specifications

F1PNM-HF

Outline Drawing



Mechanical Specifications

Outer Contact Attachment Method	Tab-flare
Inner Contact Attachment Method	Solder
Outer Contact Plating	Silver
Inner Contact Plating	Gold
Interface Durability	500 cycles
Interface Durability Method	IEC 169-4:17
Connector Retention Tensile Force	450 N 101 lbf
Connector Retention Torque	1.40 N-m 1.03 ft lb
Insertion Force	124.55 N 28.00 lbf
Insertion Force Method	IEC 169-16:9.3.5
Pressurizable	No
Coupling Nut Proof Torque	1.70 N-m 1.25 ft lb
Coupling Nut Proof Torque Method	IEC 169-16:9.3.11
Coupling Nut Retention Force	445.00 N 100.04 lbf
Coupling Nut Retention Force Method	IEC 169-16:9.3.11

Dimensions

Nominal Size	1/4 in
Diameter	20.24 mm 0.80 in
Height	20.24 mm 0.80 in
Length	33.32 mm 1.31 in

Product Specifications



F1PNM-HF

Weight 49.18 g | 0.11 lb
Width 20.24 mm | 0.80 in

Environmental Specifications

Operating Temperature	-55 °C to +85 °C (-67 °F to +185 °F)
Storage Temperature	-65 °C to +125 °C (-85 °F to +257 °F)
Immersion Depth	1 m
Immersion Test Mating	Mated
Immersion Test Method	IEC 60529:2001, IP68
Moisture Resistance Test Method	IEC 60068-2-3
Mechanical Shock Test Method	IEC 60068-2-27
Thermal Shock Test Method	IEC 60068-2-14
Vibration Test Method	IEC 60068-2-6
Corrosion Test Method	IEC 60068-2-11

Standard Conditions

Attenuation, Ambient Temperature	20 °C 68 °F
Average Power, Ambient Temperature	40 °C 104 °F
Average Power, Inner Conductor Temperature	100 °C 212 °F

Return Loss

Frequency Band	VSWR	Return Loss (dB)
45–4100 MHz	1.05	33.00
4100–6200 MHz	1.08	28.00
6200–11000 MHz	1.17	22.00
11000–18000 MHz	1.22	20.00

Regulatory Compliance/Certifications

Agency	Classification
RoHS 2002/95/EC	Compliant by Exemption
China RoHS SJ/T 11364-2006	Above Maximum Concentration Value (MCV)



* Footnotes

Immersion Depth Immersion at specified depth for 24 hours