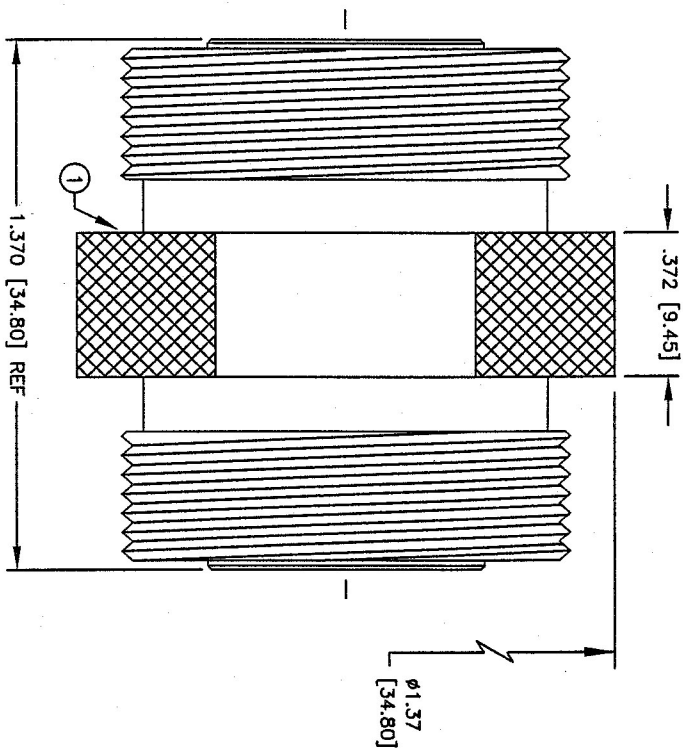
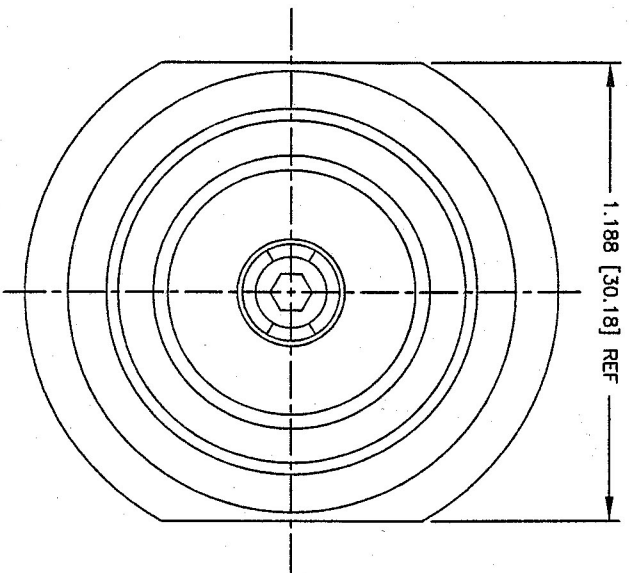


ENVELOPE / ASSEMBLY DRAWING

ALL DIMENSIONS ARE REFERENCE ONLY



SPECIFICATIONS:

IMPEDANCE: 50 OHMS
 FREQUENCY RANGE: DC-7.5 GHz
 INSERTION LOSS: -.01 dB V FREQUENCY GHz
 VSWR MAX: <1.10:1 @ DC-7.5 GHz
 3rd ORDER IM -dBc: > -150 dBc
 INTERFACE PER ITL-SPEC-CECC-221190

ITEM	DESCRIPTION	PART NUMBER	QTY	MATERIAL	FINISH
5	GROUND RING	014-16F0003BS	2	BRASS	SILVER
4	DIELECTRIC	010-16X0002TX	1	TEFLON	NONE
3	CONTACT SHAFT	013-16X0003BE	1	BRASS	SILVER
2	CONTACT	008-16F0002CE	2	BeCu	SILVER
1	BODY	001-16F0002BE	1	BRASS	SILVER

DIMENSIONS ARE IN INCHES AND [MILLIMETERS]
 UNLESS OTHERWISE NOTED TOLERANCES ARE:
 DECIMALS DIAMETER

RFD-1653-2

7-16 DIN FEMALE TO 7-16 DIN FEMALE BARREL ADAPTER