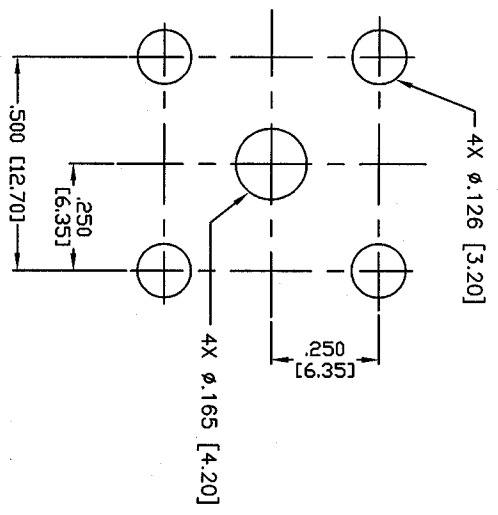
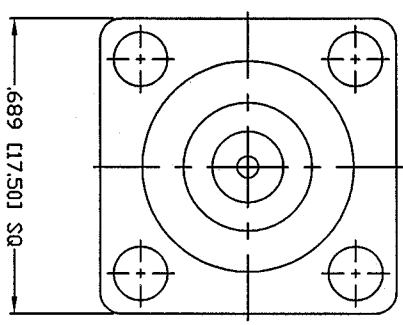
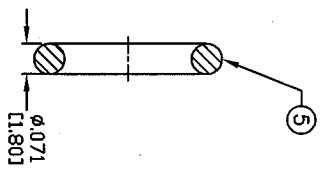
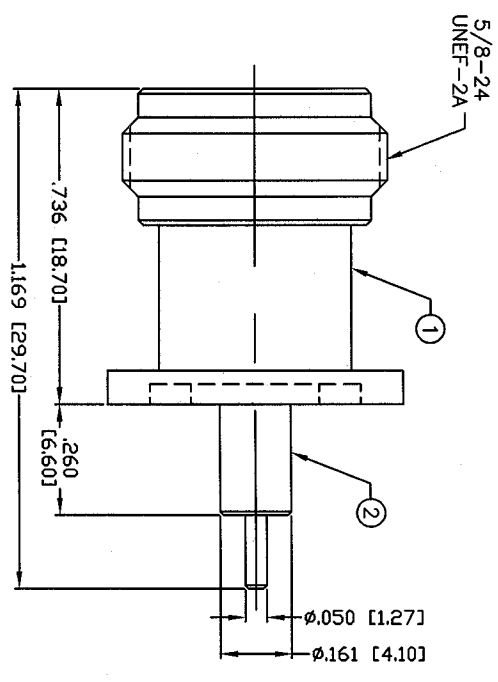


THIS DRAWING CONTAINS INFORMATION PROPRIETARY TO RF INDUSTRIES.
 ANY UNAUTHORIZED USE OF THIS DRAWING IS EXPRESSLY PROHIBITED
 WITHOUT WRITTEN PERMISSION FROM RF INDUSTRIES.
 ANY VIOLATION IS PUNISHABLE UNDER U.S. COPYRIGHT LAWS.

ALL DIMENSIONS ARE REFERENCE ONLY



RECOMMENDED MOUNTING CONFIGURATION

SPECIFICATIONS:

IMPEDANCE: 50 Ohms
 FREQUENCY RANGE: 0-11 GHz
 WORKING VOLTAGE: 1k V rms @ sea level
 TEMPERATURE RANGE: -65°C TO 85°C
 INSULATION RESISTANCE: 5k M Ohms min.

1	BODY	1 BRASS	NICKEL, 100 μ	008974			
2	INSULATOR	1 PTFE					
3	PN	1 PHOS BRONZE	GOLD, 3 μ				
4	RING	1 BRASS	NICKEL, 100 μ				
5	GASKET	1 SILICONE					
6							
7							
8							
9							
10							
11							
12							
13							
14							
#	DESCRIPTION	QTY	MATRL	FINISH	APPROVALS	DATE	

UNLESS OTHERWISE SPECIFIED:
 1. REMOVE ALL BURRS
 2. BREAK ALL CORNERS & EDGES .005 R. MAX.
 3. CHAMFER 1ST & LAST THREADS 45°
 4. SURFACE ROUGHNESS 63 FINISH MIL-STD-10
 5. DIAMETERS ON COMMON CENTERS TO BE CONCENTRIC WITHIN .002 T.I.R.
 6. ALL DIMENSIONS ARE AFTER PLATING.

DIMENSIONS ARE IN INCHES AND [MILLIMETERS]
 UNLESS OTHERWISE NOTED TOLERANCES ARE:
 DECIMALS DIAMETER .XXX±.001 [.03]
 .XXX±.005 [.13]

RF Connectors
 DIVISION OF RF INDUSTRIES, LTD.
 7610 MIRAMAR RD
 SAN DIEGO, CA 92126
 (858) 549-6340
 (858) 549-6345 FAX

N JACK
 MINI 4 HOLE FLANGE

SIZE	CABLE GROUP	DWG NO.	REV
A	N/A	RFN-1021-5	B
SCALE:	NTS	CAD FILE	OUTLINE
			SHEET 1 OF 1

PART NO.		RFN-1021-5	
REV	DESCRIPTION	DWN	DATE
A	ENGINEERING RELEASE	CZS	7/17/98
B	CHANGE FORMAT, SPECS & DWG # 8889	GGG	1/21/02
			JDMc