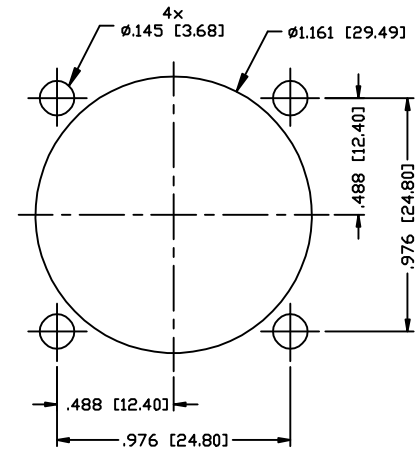
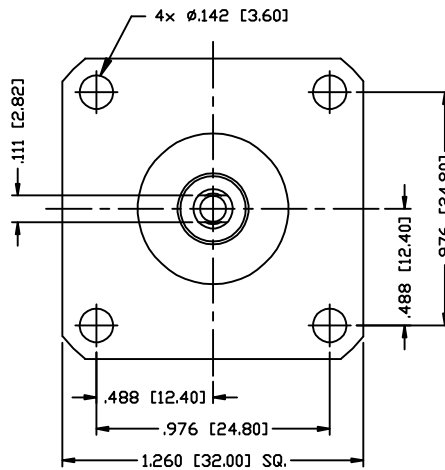
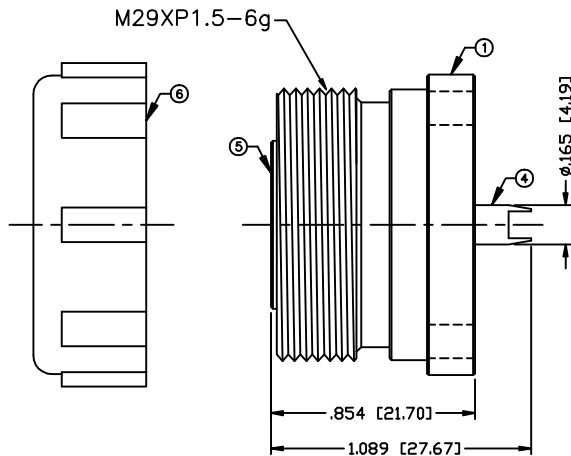


PART NO.

**RFD-1640-2**

REV	DESCRIPTION	DWN	DATE	APPROVED
E	CHANGED OUTER CONTACT TO SOLID CONFIGURATION	KMM	5/14/98	JDMc
F	UPDATED CONNECTOR DESIGN & DWG	CZS	07/10/01	JDMc



RECOMMENDED MOUNTING PATTERN

**SPECIFICATIONS:**

IMPEDANCE: 50 Ohms

FREQUENCY RANGE: 0-7.5 GHz

PEAK POWER: 13.2 Kw max.

AVERAGE POWER: 3.0 Kw max.

TEMPERATURE RANGE: -55°C TO 150°C

(E) FOR RG-8, 8A, 213/U, ALPHA 9008, 9213, BELDEN 8267, 9251, 9880, 89880, INTERCOMP 4085, 22132, TIMES AA-4478

(F) FOR RG-9, 9A, 9B, 214 &amp; 393/U, BELDEN 8242 &amp; 8268 CABLE

(I) FOR BELDEN 8214, 9913, 9913F, 9914, RG-8/U TYPE, CAROL C1180, TIMES AA-5886 &amp; LMR-400 CABLE

(PL) FOR BELDEN 89913 (PLENUM) CABLE

#	DESCRIPTION	QTY	MATERIAL	FINISH
6	DUST COVER	1	PE	---
5	GROUND RING	1	BRASS	SILVER, 120 μ"
4	CONTACT	1	BRASS	SILVER, 200 μ"
3	CONTACT	1	Be.Cu.	SILVER, 200 μ"
2	INSULATOR	1	PTFE	---
1	BODY	1	BRASS	SILVER, 120 μ"

CUSTOMER  
OUTLINE DRAWINGALL DIMENSIONS  
ARE REFERENCE ONLYUNLESS OTHERWISE SPECIFIED:  
DIMENSIONS ARE IN INCHES  
AND [MILLIMETERS]DRAWN  
C. ZUNIGA 06/05/12CHECKED  
ORJ DRAWN  
K. MAXWELL 7/25/95**RoHS  
COMPLIANT**PROPRIETARY AND CONFIDENTIAL  
THIS DRAWING CONTAINS  
INFORMATION PROPRIETARY TO  
RF INDUSTRIES. ANY  
UNAUTHORIZED USE OF THIS  
DRAWING IS EXPRESSLY  
PROHIBITED WITHOUT WRITTEN  
PERMISSION FROM RF  
INDUSTRIES. ANY VIOLATION IS  
PUNISHABLE UNDER U.S.  
COPYRIGHT LAWS.**RFconnectors**  
DIVISION OF RF INDUSTRIES, LTD.7610 MIRAMAR RD.  
SAN DIEGO, CA 92126  
(858) 549-6340  
(858) 549-6345 FAX**7/16 DIN JACK**  
4 HOLE FLANGE

SIZE	CABLE GROUP	DWG NO.	REV
A	E,F,I,PL	<b>RFD-1640-2</b>	F
SCALE:	ENGINEERING ID:	008974	SHEET 1 OF 1
NTS			