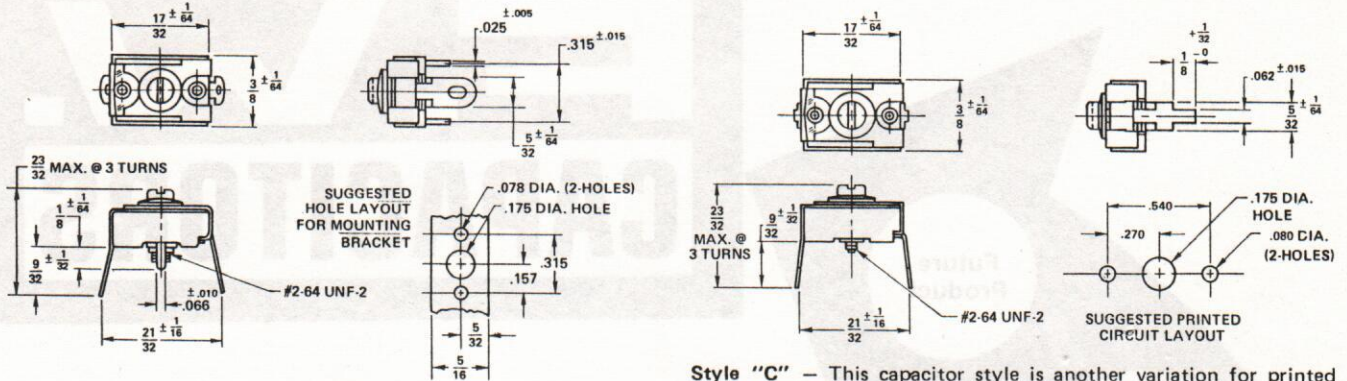
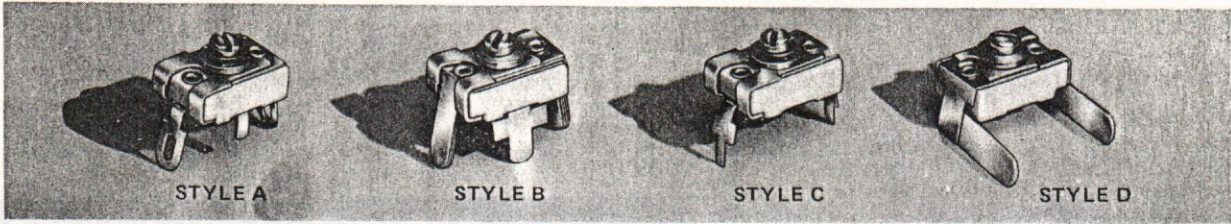
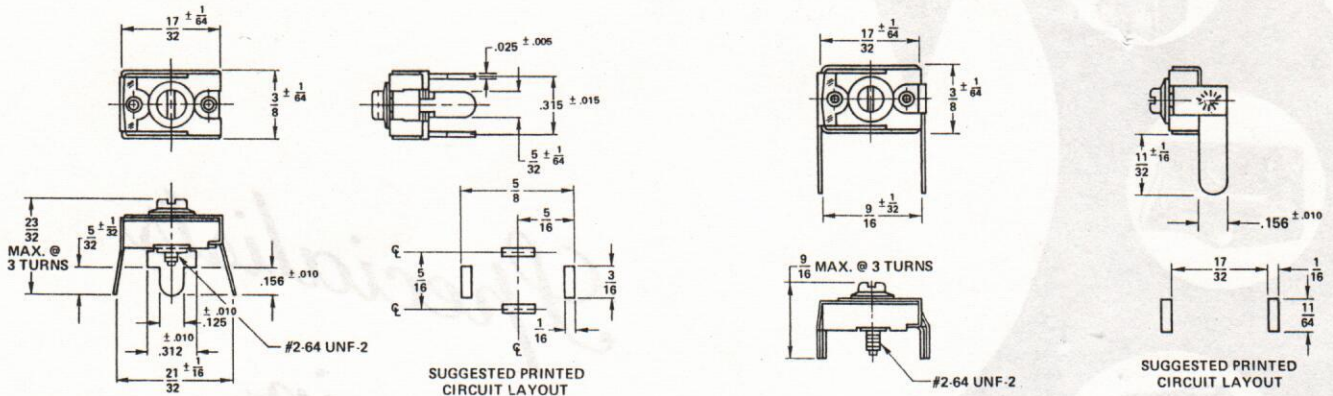


TYPE 40 TRIMMERS



Style "A" – This capacitor style is supplied with a staple which is used for mounting the trimmer on a 5/16" width bracket. The capacitor terminals have elongated holes for point to point wiring.

Style "C" – This capacitor style is another variation for printed circuit application. This unit is not supplied with the raised staple but instead, has .062" width notched terminals to raise the trimmer from the printed circuit board. These terminals can be supplied with a .093" width when specified.



Style "B" – This capacitor style is supplied with a raised staple and solid terminals for printed circuit application.

Style "D" – This capacitor style is supplied with special terminals which allows the unit to be mounted on its side for horizontal adjustment.

GUARANTEED CAPACITANCE RANGE AND VOLTAGE

WORKING VOLTAGE	175VDC	250VDC
TEST VOLTAGE	350VDC	500VDC

TYPE 40

MINIMUM CAPACITANCE ¹ pF	MAXIMUM CAPACITANCE ² pF	CATALOG NUMBER ³
2.5	7	4000/___
4	20	4002/___
8	45	4003/___
12	65	4004/___
16	90	4005/___
25	115	4006/___

CAPACITANCE VALUES greater than those shown are available upon request

1. Minimum capacitance (equal to, or less than, the value indicated) shall occur when the adjusting screw is rotated 3 turns from tight position.
2. Maximum capacitance (equal to, or greater than, the value indicated) shall occur when the adjusting screw is at tight position with tight defined as 1 3/4 pound-inches.
3. See page 6 "Ordering Data" for complete description of F. W. catalog number.