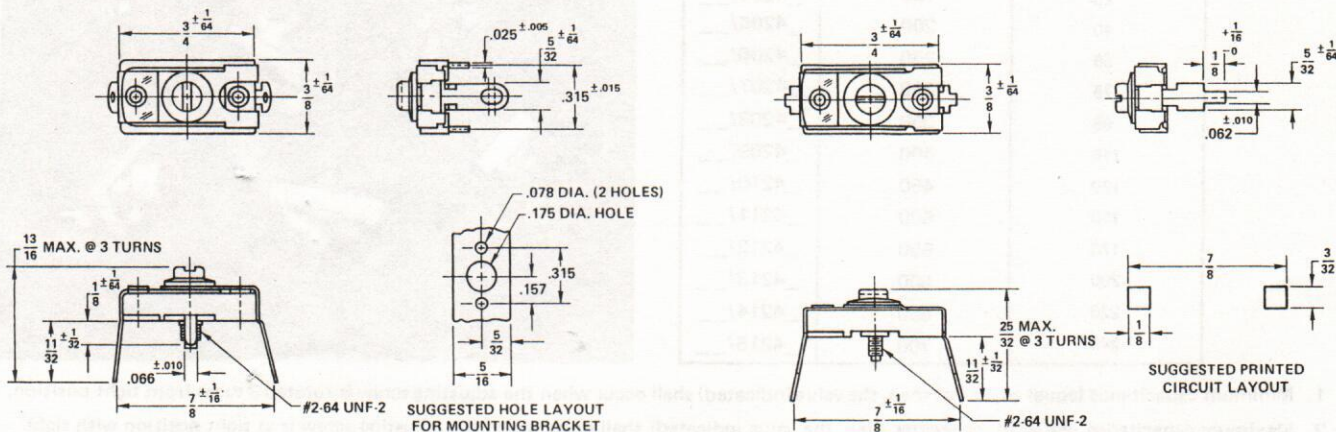
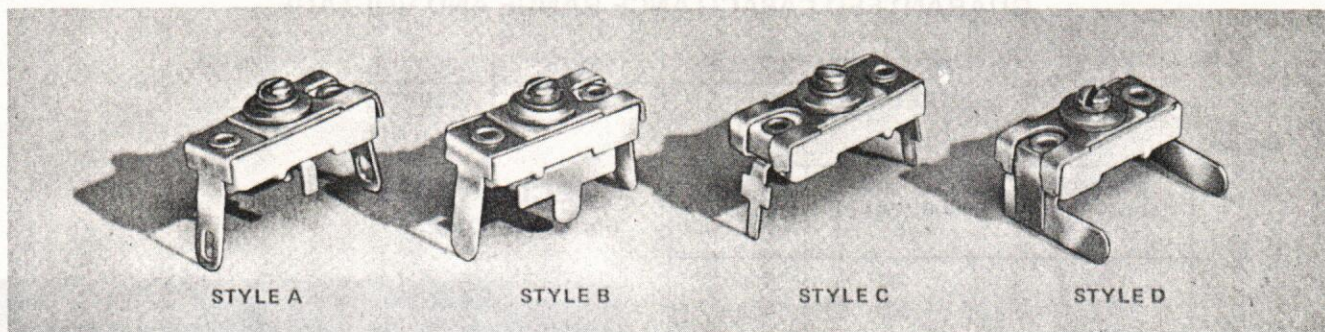
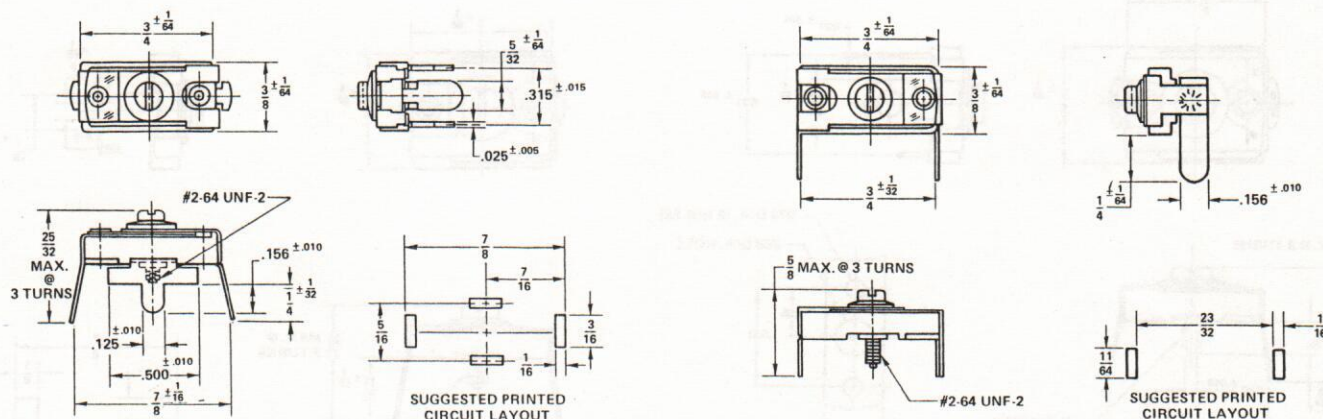


TYPE 42 TRIMMERS



Style "A" – This capacitor style is supplied with a staple which is used for mounting the trimmer on a 5/16" width bracket. The capacitor terminals have elongated holes for point to point wiring.

Style "C" – This capacitor style is another variation for printed circuit application. This unit is not supplied with the raised staple but has .062" width notched terminals to raise the trimmer from the printed circuit board. These terminals can be supplied with a .093" width when specified.



Style "B" – This capacitor style is supplied with a raised staple and solid terminals for printed circuit application.

Style "D" – This capacitor style is supplied with special terminals which allows the unit to be mounted on its side for horizontal adjustment.