

ATTENUATORS TYPE N

**DC - 6 GHz
2 WATTS**

api 
technologies corp.
> INMET

MODELS: 9070

SPECIFICATIONS:

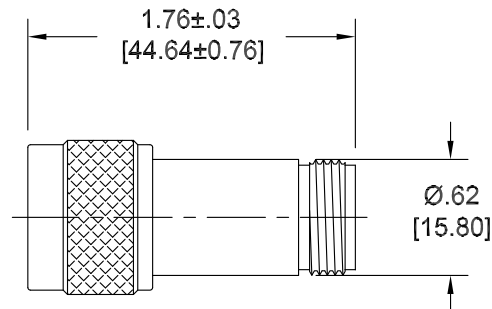
Electrical:

Frequency Range _____ DC - 6GHz
Standard dB Values ____ 1 - 10, 12, 15, 20, 30 & 40dB
Attenuation Accuracy _____ In 1 dB Increments
1 - 6 dB _____ ± 0.3 dB
7 - 10, 12, 15 & 20dB _____ ± 0.5 dB
30dB _____ ± 0.9 dB
40dB _____ ± 1.5 dB
VSWR _____ 1.25:1 Max.
Input Power _____ 2 Watts Avg. @ 25°C
DERATED LINEARLY TO 1.1 WATTS @ +85°C
Impedance _____ 50 Ohms
Operating Temp Range _____ -20°C to +85°C

Mechanical:

Type N Connectors _____ Plated Brass
Mates with MIL-STD-348
Conductors _____ Gold Plated Beryllium Copper

Model Number: **9070-XX**
Type N Male / Female



HOW TO ORDER:

Model Number: **9070-XX**
└── dB Value

Ordering Examples:

Model Number: **9070-20**
20 dB; Type N - Male/Fem

Model Number: **9070-06**
6 dB; Type N - Male/Fem

Note: Dimensions in Brackets are Expressed in Millimeters and are for Reference Only.
Design specifications are subject to change without notice.
Contact factory for technical specifications before purchasing or use.