

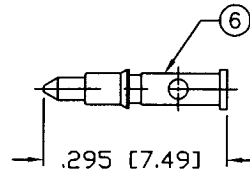
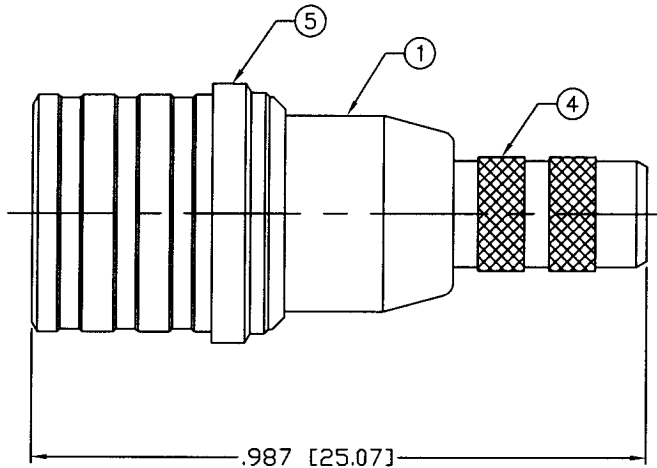
THIS DRAWING CONTAINS INFORMATION PROPRIETARY TO RF INDUSTRIES.  
 ANY UNAUTHORIZED USE OF THIS DRAWING IS EXPRESSLY PROHIBITED  
 WITHOUT WRITTEN PERMISSION FROM RF INDUSTRIES.  
 ANY VIOLATION IS PUNISHABLE UNDER U.S. COPYRIGHT LAWS.

ALL DIMENSIONS ARE REFERENCE ONLY

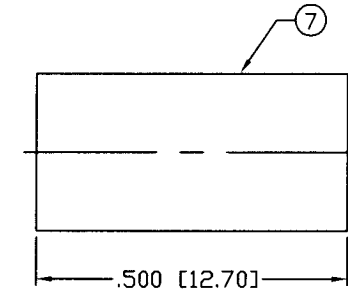
PART NO.

**RQA-5000-C**

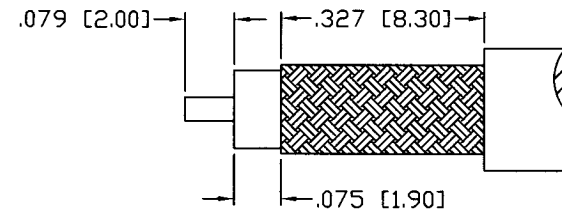
REV	DESCRIPTION	DWN	DATE	APPROVED
-	ENGINEERING RELEASE	CZS	3/8/04	JDMc



PIN TO BE SOLDERED



RECOMMENDED CRIMP DIE: .213"



RECOMMENDED STRIPPING DIM'S

**SPECIFICATIONS:**

IMPEDANCE: 50 Ohms  
 FREQUENCY RANGE: 0-6 GHz  
 INSULATION RESISTANCE: 5k M Ohms min.  
 TEMPERATURE RANGE: -65°C TO 165°C  
 FOR RG-58, 58A, 58C, 141, 141A, BELDEN 8240, 9907  
 8259, 8262, 9201, 9203, 9310, 9311 & COMM/SCOPE 0268

1	BODY	1	BRASS	ALBALOY, 80μ"	008974	
2	GROUND RING	1	WHT BRONZE	ALBALOY, 80μ"		
3	INSULATOR	1	PTFE	---		
4	FERRULE STUD	1	BRASS	ALBALOY, 80μ"		
5	SHELL	1	BRASS	ALBALOY, 80μ"		
6	PIN	1	BRASS	GOLD, 30μ"		
7	FERRULE	1	BRASS	ALBALOY, 80μ"		
8						
9						
10						
11						
12						
13						
14						
#	DESCRIPTION	QTY	MATERIAL	FINISH	APPROVALS	DATE

DRAWN  
C. ZUNIGA 3/9/04  
 CHECKED  
C. ZUNIGA 3-10-04  
 ORJ DRAWN  
C. ZUNIGA 3/9/04

UNLESS OTHERWISE SPECIFIED:

DIMENSIONS ARE IN INCHES  
 AND [MILLIMETERS]  
 UNLESS OTHERWISE NOTED  
 TOLERANCES ARE:  
 DECIMALS      DIAMETER

**RF connectors**  
 DIVISION OF RF INDUSTRIES, LTD.

7610 MIRAMAR RD  
 SAN DIEGO, CA 92126  
 (858) 549-6340  
 (858) 549-6345 FAX

**QMA PLUG, QUICK MATE**

CRIMP / SOLDER

SIZE	CABLE GROUP	DWG NO.	REV
A	C	RQA-5000-C	-

SCALE: NTS      CAD FILE OUTLINE      SHEET 1 OF 1