

TERMINATIONS TNC

**DC - 6.0 GHz
2 WATTS**



MODELS: 3206-TNCM

SPECIFICATIONS:

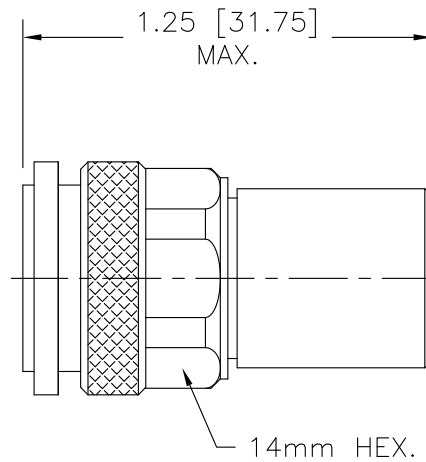
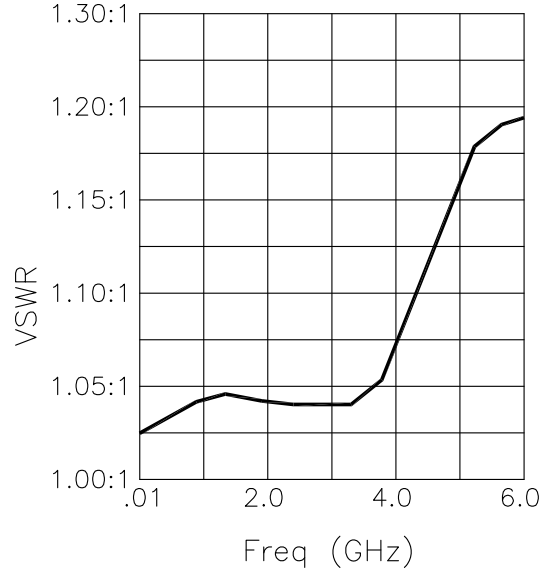
Electrical:

Frequency Range _____ DC – 6.0 GHz
 VSWR
 DC – 1.0 GHz _____ 1.10:1 MAX.
 1.0 – 2.5 GHz _____ 1.15:1 MAX.
 2.5 – 4.0 GHz _____ 1.25:1 MAX.
 4.0 – 6.0 GHz _____ 1.30:1 MAX.
 Impedance _____ 50 Ohms
 Input Power _____ 2 Watts @+25°C
 Derated Linearly to 0.2 Watt @+125°C
 Peak Power _____ 500 Watts Maximum
 (1uSec Pulse, .01% Duty Cycle)
 Operating Temp Range _____ -55°C to +125°C

Mechanical:

TNC Male Connector _____ Plated Brass and/or Zinc Alloy
 Mates With MIL-STD-348
 Housing _____ Plated Brass and/or Zinc Alloy
 Conductors _____ Gold Plated Brass or Beryllium Copper
 ALL SOLDERED CONSTRUCTION FOR
 MAXIMUM RELIABILITY.

3206-TNCM
TYPICAL PERFORMANCE



Note: Dimensions in Brackets are Expressed in Millimeters and are for Reference Only.
 Design specifications are subject to change without notice.
 Contact factory for technical specifications before purchasing or use.

3206-TNCM; REV -