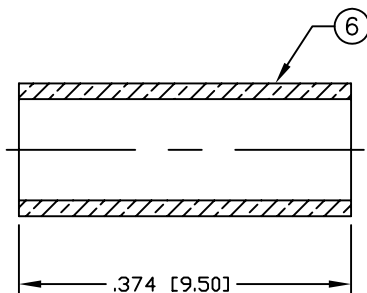
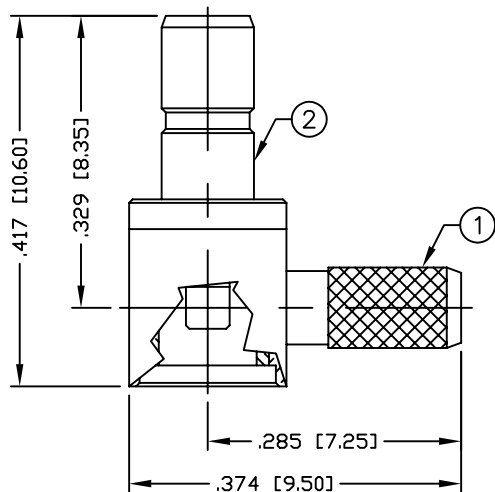
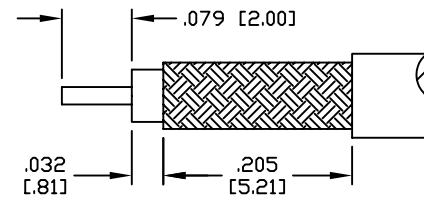


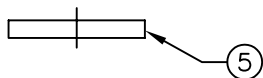
PART NO.		RSB-750-1B		
REV	DESCRIPTION	DWN	DATE	APPROVED
-	ENGINEERING RELEASE	CZS	04/18/02	JDMc



RECOMMENDED CRIMP DIE: .130"



RECOMMENDED STRIPPING DIMENSIONS



NOTE: ATTACH CABLE TO CONNECTOR BY
SOLDERING THE CABLE INNER CONDUCTOR
TO THE PIN SLOT INSIDE THE CONNECTOR

SPECIFICATIONS:

IMPEDANCE: 50 Ohms
 FREQUENCY RANGE: 0-12.4 GHz
 WORKING VOLTAGE: 250 V rms Max. @ Sea Level
 CONTACT RESISTANCE: ≤ 5 m Ohm
 INSULATION RESISTANCE: 1k M Ohms min.
 TEMPERATURE RANGE: -55°C TO 155°C
 FOR RG-174, 188, 188A, 316/U, ALPHA 9174, 9316,
 BELDEN 8216, 83269, 83284, 84316 & TIMES LMR-100A CABLE

6	FERRULE	1	COPPER	GOLD, 3μ"
5	COVER	1	BRASS	GOLD, 3μ"
4	PIN	1	BRASS	GOLD, 30μ"
3	INSULATOR	1	PTFE	---
2	PRESS BODY	1	BRASS	GOLD, 3μ"
1	BODY	1	BRASS	GOLD, 3μ"
#	DESCRIPTION	QTY	MATERIAL	FINISH

CUSTOMER OUTLINE DRAWING	
ALL DIMENSIONS ARE REFERENCE ONLY	
UNLESS OTHERWISE SPECIFIED: DIMENSIONS ARE IN INCHES AND [MILLIMETERS]	
DRAWN C. ZUNIGA	05/02/08
CHECKED	
ORJ DRAWN C. ZUNIGA	05/02/08

RoHS COMPLIANT

PROPRIETARY AND CONFIDENTIAL
 THIS DRAWING CONTAINS
 INFORMATION PROPRIETARY TO
 RF INDUSTRIES. ANY
 UNAUTHORIZED USE OF THIS
 DRAWING IS EXPRESSLY
 PROHIBITED WITHOUT WRITTEN
 PERMISSION FROM RF
 INDUSTRIES. ANY VIOLATION IS
 PUNISHABLE UNDER U.S.
 COPYRIGHT LAWS.

RFconnectors
 DIVISION OF RF INDUSTRIES, LTD. (858) 549-6345 FAX

7610 MIRAMAR RD.
 SAN DIEGO, CA 92126
 (858) 549-6340

SSMB JACK, CRIMP
 RIGHT ANGLE

SIZE A	CABLE GROUP B	DWG NO. RSB-750-1B	REV ---
SCALE: NTS	ENGINEERING ID: 008974	SHEET 1 OF 1	