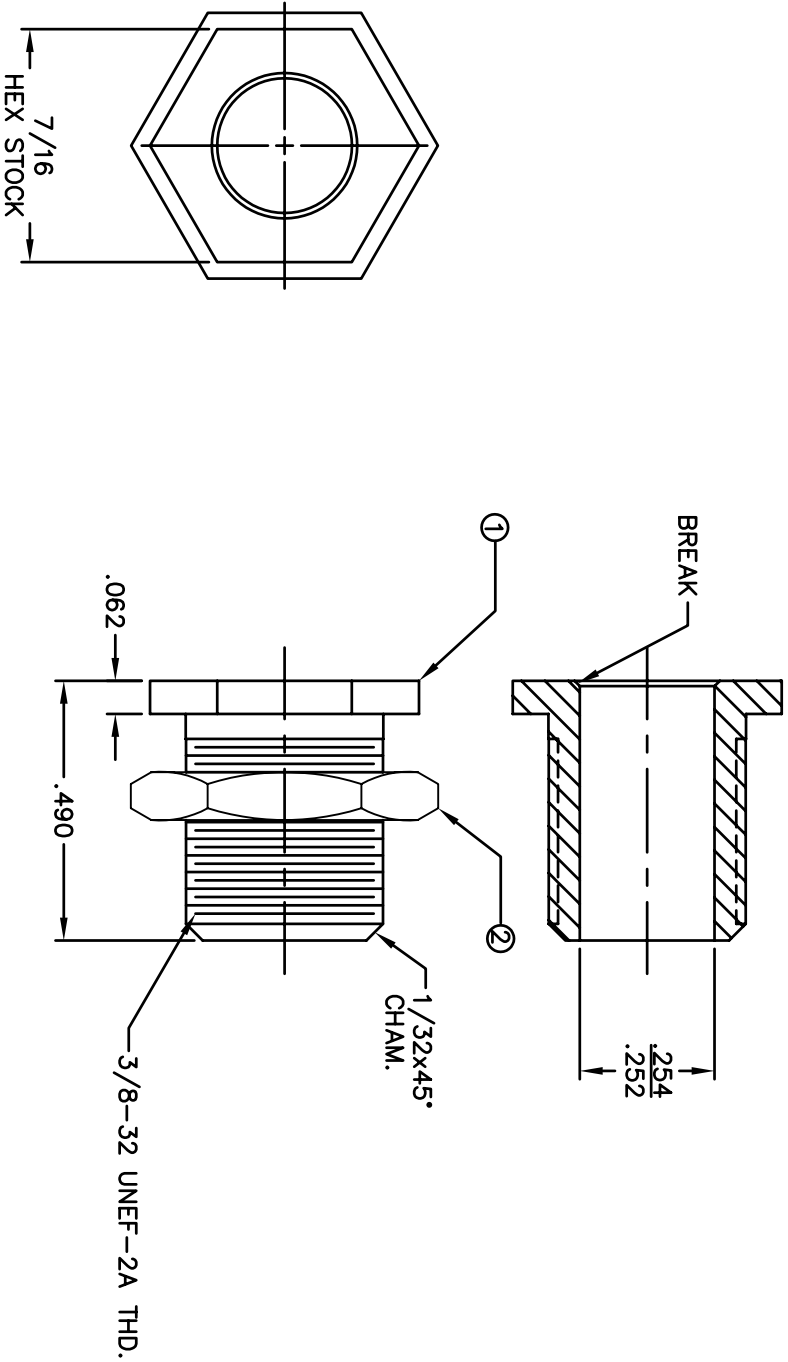


BILL OF MATERIALS				
DET.	QTY.	DESCRIPTION	MATERIAL	PLATING
1	1	BUSHING	BRASS	NICKEL
2	1	NUT	BRASS	NICKEL

REVISIONS			
SYM	DESCRIPTION	REVISION DATE	APPR
(A)	REDRAWN FROM REV #2	TPL 4/12/06	TPL



MATERIAL: SEE BOM		FINISH: SEE BOM	
DIMENSIONAL TOLERANCES UNLESS OTHERWISE SPECIFIED			
XX	.XXX	XXX	.XXX
FRACTIONS		ANGLES	SCALE
---	---	4X	
HEAT TREAT: ---		DRAWN: T. LORD DATE: 4/12/06	
PLOT SCALE: 1=1		CHECKED: T. LORD DATE: 4/12/06	
		APPROVED: T. LORD DATE: 4/12/06	
TITLE: 119 PANEL BEARING 1/4"		SIZE: B	DRAWING NUMBER: SD-119
Electronic Connectors and Hardware 632 Arch Street, Meadville, Pa. 16335		ISSUE: A	