

Manual Variable Attenuators

The JFW rotary attenuator has been a staple to RF engineers for almost 30 years. In that time, our line of manually variable step attenuators has grown to include over 700 models. With a wide variety of attenuation ranges, step sizes and tuning options, JFW has solutions to fit almost any variable attenuator application. At JFW Industries, we can literally put reliable attenuation at your fingertips. Our years of proven quality and performance make a JFW variable attenuator right for any RF environment.



Available Features

- Variable attenuators covering frequency ranges from DC to 18 GHz
- Multiple attenuator tuning options (rotor, dual-concentric rotors, push-button, toggle switch or rocker switch)
- Attenuations step sizes as low as 0.1 dB resolution
- 50 Ohm and 75 Ohm attenuators (other impedance values also available upon request)
- Any RF connector combination (BNC, SMA, N, TNC, F reverse polarity and more)
- Available on 19" rack panels or in stackable bench-top boxes

AFFORDABLE CUSTOM DESIGNS ARE ALSO AVAILABLE!

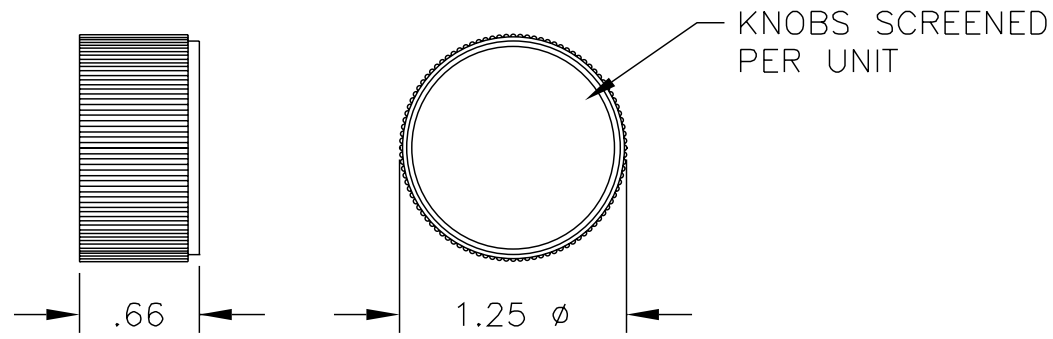
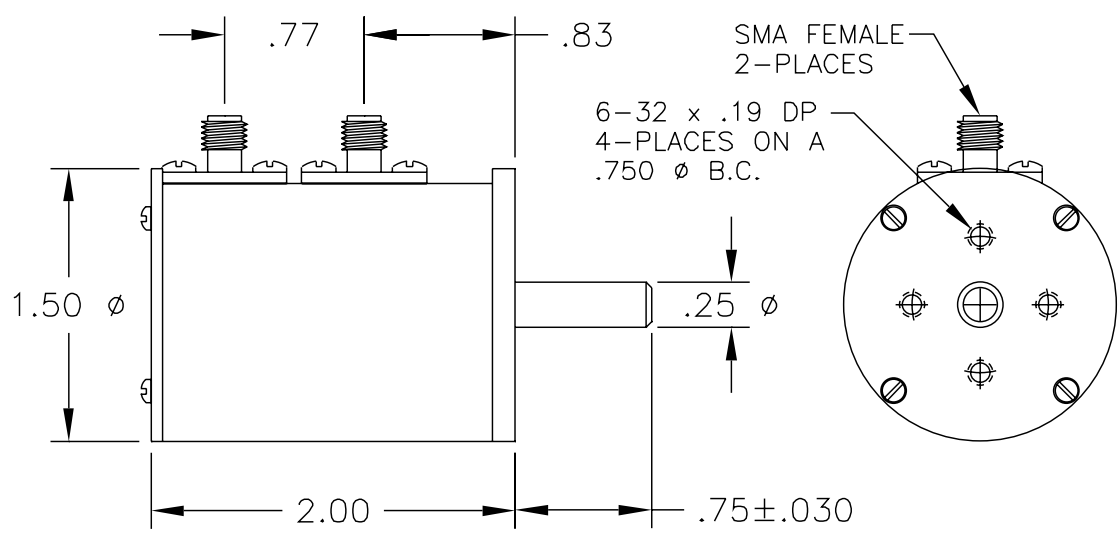
Call 317-887-1340 • Toll Free 877-887-4539 • Fax 317-881-6790
E-mail sales@jfwindustries.com • www.jfwindustries.com

Rotary Attenuators

Model	Frequency Range	Attenuation Range	Attenuation Accuracy	VSWR (maximum)	Insertion Loss (maximum)
50R-019	DC-2200 MHz	0-10 dB in 1 dB steps	+/- 0.2 dB DC-1000 MHz +/- 0.4 dB 1000-2200 MHz	1.2:1 DC-1000 MHz 1.4:1 1000-2200 MHz	0.2 dB DC-1000 MHz 0.4 dB 1000-2200 MHz
50R-028	DC-1000 MHz	0-1 dB in 0.1 dB steps	+/- 0.03 dB DC-500 MHz +/- 0.05 dB 500-1000 MHz	1.2:1	0.7 dB
50R-248	DC-2500 MHz	0-10 dB in 1 dB steps	+/- 0.25 dB DC-1100 MHz +/- 0.6 dB 1100-2500 MHz	1.25:1 DC-1100 MHz 1.50:1 1100-2500 MHz	0.25 dB DC-1100 MHz 0.5 dB 1100-2500 MHz
50R-249	DC-2500 MHz	0-1 dB in 0.1 dB steps	+/- 0.05 dB	1.2:1 DC-1100 MHz 1.4:1 1100-2500 MHz	1.0 dB

Common Specifications

Impedance	RF Input Power	Standard Rotation	Indexing	Operating Temperature	RF Connectors
50 Ohms	2 Watts average 1000 Watts peak	Attenuation increases in clockwise direction	30 degrees with stops at minimum and maximum	-20° C to +85° C	SMA, BNC or TNC female



KNOB DETAIL

This represents only 10% of our products. For YOUR application, contact JFW at 1-877-887-4JFW or sales@jfwindustries.com