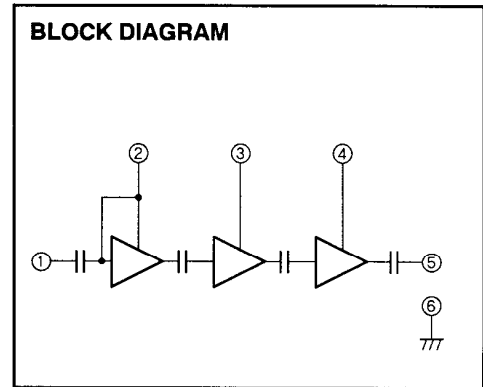
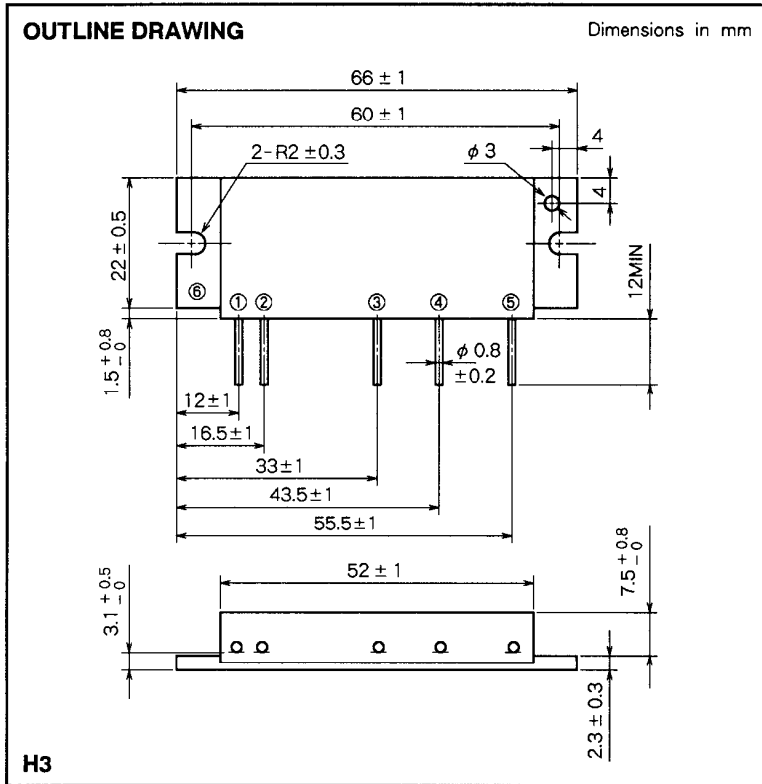


M57729GL

326-346MHz, 12.5V, 30W, FM MOBILE RADIO



- PIN :
- ① Pin : RF INPUT
 - ② Vcc1 : 1st. DC SUPPLY
 - ③ Vcc2 : 2nd. DC SUPPLY
 - ④ Vcc3 : 3rd. DC SUPPLY
 - ⑤ Po : RF OUTPUT
 - ⑥ GND : FIN

ABSOLUTE MAXIMUM RATINGS (Tc = 25 °C unless otherwise noted)

Symbol	Parameter	Conditions	Ratings	Unit
Vcc	Supply voltage		17	V
Icc	Total current		10	A
P _{in(max)}	Input power	Vcc1 ≤ 12.5V, Z _G = Z _L = 50 Ω	600	mW
P _{o(max)}	Output power	Vcc1 ≤ 12.5V, Z _G = Z _L = 50 Ω	40	W
T _{c(OP)}	Operation case temperature	Vcc1 ≤ 12.5V, Z _G = Z _L = 50 Ω	- 30 to 110	°C
T _{stg}	Storage temperature		- 40 to 110	°C

Note. Above parameters are guaranteed independently.

ELECTRICAL CHARACTERISTICS (Tc = 25 °C unless otherwise noted)

Symbol	Parameter	Test conditions	Limits		Unit	
			Min	Max		
f	Frequency range		326	346	MHz	
P _o	Output power	Vcc1 = Vcc2 = 12.5V P _{in} = 300mW Z _G = Z _L = 50 Ω	30		W	
η _T	Total efficiency		40		%	
2fo	2nd. harmonic			- 30		dBc
3fo	3rd. harmonic			- 30		dBc
ρ _{in}	Input VSWR				3.3	-
-	Load VSWR tolerance	Vcc1 = Vcc2 = 15.2V P _o = 30W (P _{in} : controlled) Load VSWR ≥ 20:1 (All phase), Z _G = 50Ω	No degradation or destroy		-	

Note. Above parameters, ratings, limits and conditions are subject to change.