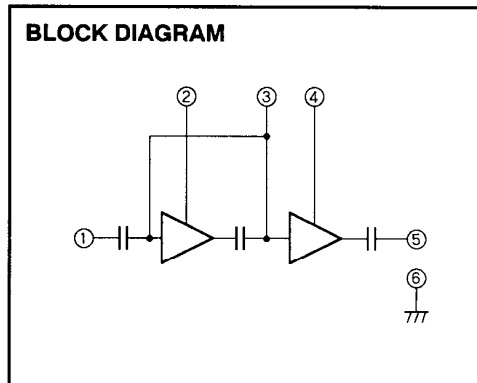
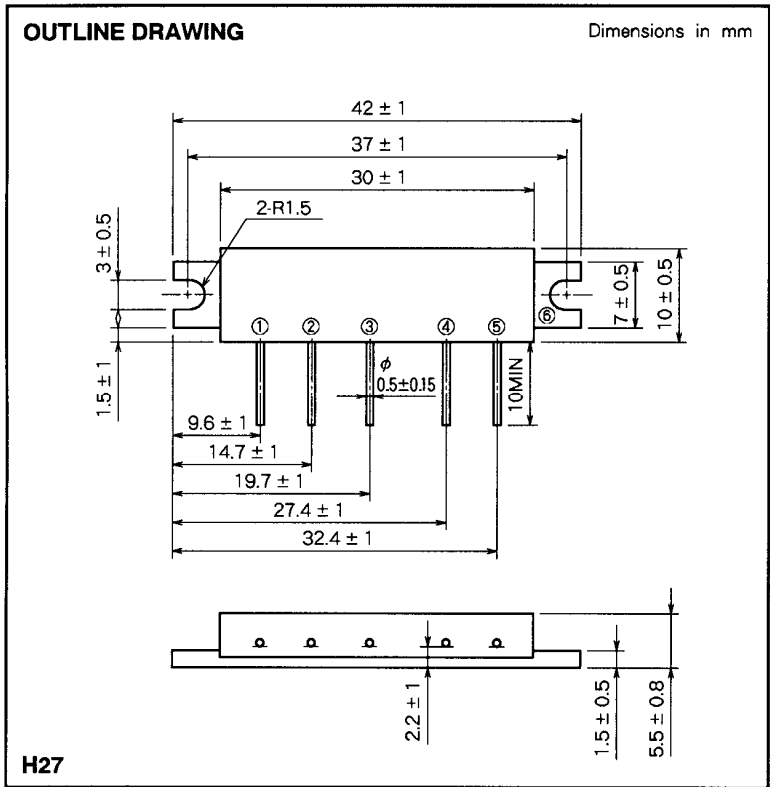


M67748H

150-175MHz, 12.5V, 7W, FM PORTABLE RADIO



- PIN :
- ①Pin : RF INPUT
 - ②Vcc1 : 1st. DC SUPPLY
 - ③VBB : BASE BIAS SUPPLY
 - ④Vcc2 : 2nd. DC SUPPLY
 - ⑤Po : RF OUTPUT
 - ⑥GND : FIN

ABSOLUTE MAXIMUM RATINGS (Tc = 25 °C unless otherwise noted)

Symbol	Parameter	Conditions	Ratings	Unit
Vcc	Supply voltage	VBB = 5V	15	V
VBB	Base bias		5.5	V
Icc	Total current		4	A
Pin(max)	Input power	ZG = ZL = 50 Ω, Vcc1 ≤ 12.5V	40	mW
Po(max)	Output power	ZG = ZL = 50 Ω	10	W
Tc(OP)	Operation case temperature		- 30 to 110	°C
Tstg	Storage temperature		- 40 to 110	°C

Note. Above parameters are guaranteed independently.

ELECTRICAL CHARACTERISTICS (Tc = 25 °C unless otherwise noted)

Symbol	Parameter	Test conditions	Limits		Unit
			Min	Max	
f	Frequency range	Pin = 20mW VBB = 5V Vcc = 12.5V ZG = ZL = 50 Ω	150	175	MHz
Po	Output power		7		W
η T	Total efficiency		45		%
2fo	2nd. harmonic		- 20		dBc
3fo	3rd. harmonic		- 25		dBc
ρin	Input VSWR		2.5	-	
-	Load VSWR tolerance	Vcc2 = 13.2V, VBB = 5V Po=7W (Vcc1:controlled) Pin=20mW Load VSWR=20:1 (All phase), 2sec. ZG = 50Ω	No degradation or destroy		-

Note. Above parameters, ratings, limits and conditions are subject to change.