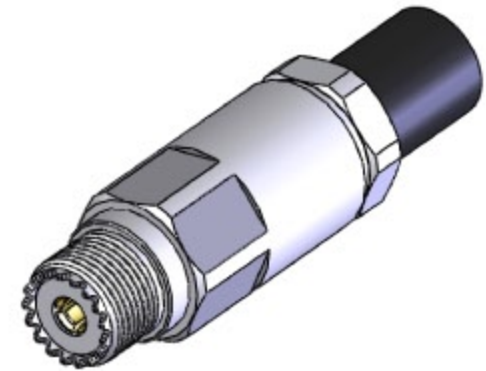


RECOMMENDED STRIPPING DIMENSIONS



SPECIFICATIONS:

IMPEDANCE: NON CONSTANT
 FREQUENCY RANGE: 0-300 MHz
 WORKING VOLTAGE: 500 V rms Max. @ Sea Level
 FOR ANDREW LDF4-50A & LDF4RN-50A, CELWAVE 810918-001
 CABLEWAVE FLC12-50J & EUPEN 5128 CABLE

NOTE: SILICONE LUBRICATOR INCLUDED (NOT SHOWN)

7	LUBE	NONE	SILICONE	NONE	1
6	O-RING	023-10X-002-LR	SILICONE RUBBER	NONE	1
5	O-RING	023-10X-001-LR	SILICONE RUBBER	NONE	1
4	INSULATOR	010-06X-001-TX	PTFE	NONE	1
3	SPRING CLAMP	003-06X-001-BT	Brass	WHITE BRONZE	1
2	CONTACT	008-06F-006-PT	PHOSPHOR BRONZE	SILVER	1
1	BODY	001-06F-001-BT	Brass	WHITE BRONZE	1
#	DESCRIPTION	PART NUMBER	MATERIAL	FINISH	QTY.

ROHS
COMPLIANT

UNLESS OTHERWISE SPECIFIED:

DIMENSIONS ARE IN INCHES

ALL DIMENSIONS ARE FOR REFERENCE ONLY

RFU-520-H1
UHF JACK, CLAMP